

AUSTIN 15W

Square Bulkhead

dynamic series

Efficient. Cutting Edge. Reliable

The AUSTIN 15W Square Bulkhead is an architectural wall light, designed for ultimate versatility and ease of installation with ceiling or wall mounting options. Ideal for illuminating outdoor commercial applications with an IP65 rating that ensures it is watertight, dustproof and durable for any weather condition.

Verified by Techlume Australia on 20/07/2023



SPECIFICATIONS

Material Specifications

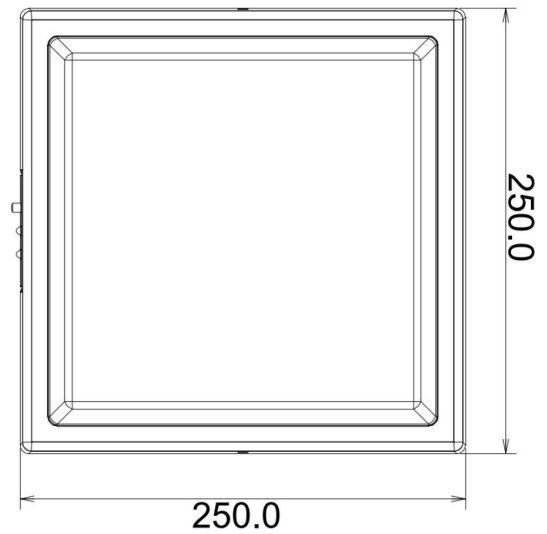
Material	Die-Case Aluminium & Polycarbonate Diffuser
Colour	RAL9005 Jet Black
Dimensions	250mm x 250mm(W) x 63mm(D)
Ingress Protection	IP65
Impact Rating	IK08
Warranty	5 Year Replacement

Electrical Specifications

Input Voltage	240V AC
Power Supply	Integrated Driver, 260mA
System Watts	14.2W - 14.4W
Connection Method	Hard Wired
Operating Temperature (Ta)	-20°C to +45°C

Optic Specifications

Light Source	Epistar 12W LED 2835SMD Chip
Delivered Lumens	1,827lm (3000K)
Delivered Lumens	1,770lm (4000K)
Efficacy	Up to 126.9lm/W
Beam Angle	120°
CRI	Ra >82
Reported L70 (Hours)	> 54,000 Hrs



VARIATIONS

LC3925	AUSTIN 15W Square Bulkhead, Black, 120°, Non-Dim, 3000K, 1,827lm
LC3926	AUSTIN 15W Square Bulkhead, Black, 120°, Non-Dim, 4000K, 1,770lm
LC3927	AUSTIN 15W Square Bulkhead, Black, 120°, Non-Dim, 3000/4000K