

AZTEC 20W

Industrial Grade Floodlight

dynamic series

Efficient. Cutting Edge. Reliable

The 20W AZTEC LED Floodlight is a stylish slimline design, giving a wide beam spread for an even light coverage. Tempered glass with a hard-wearing, anti-corrosion finish.

Security lighting is becoming increasingly important. LED flood lights are now producing more light than ever for the illumination of domestic and commercial outdoor spaces. Huge savings can be made on power consumption over the life of the fitting. Also used for Signage Lighting. Five year replacement warranty. Removing the plug does not affect the warranty.

Verified by Techlume Australia on 08/03/2023



SPECIFICATIONS

Material Specifications

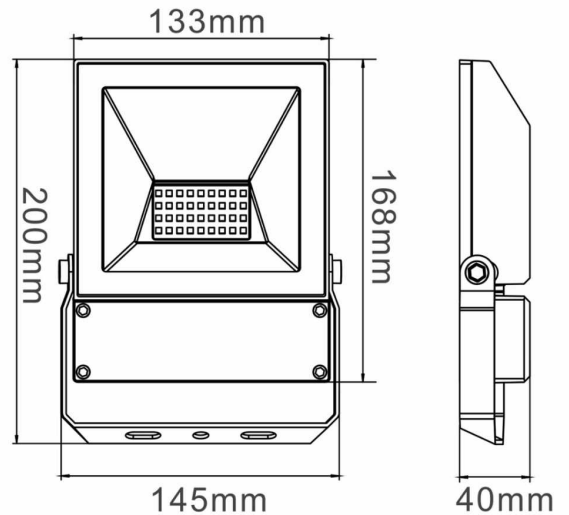
Material	Aluminium Housing, Tempered Glass
Finish	AkzoNobel Powder Coat
Dimensions	133mm(L) x 40mm(W) x 168mm(H)
Maximum Projected Area	0.029m ³
Ingress Protection	IP65
Impact Rating	IK08
Weight	1.0 Kg
Warranty	5 Year Replacement

Electrical Specifications

Power Supply	Non-Dim, 260mA Constant Current Integral Driver
Input Voltage	240VAC
System Watts	18.5W
Connection Method	Australian 3-Pin Plug & 1.8m Lead
Operating Temperature (Ta)	-20°C to +50°C

Optic Specifications

Light Source	CREE LED, 32 pcs SMD 2835
Delivered Lumens	2,353lm
Efficacy	126.9lm/W
Beam Angle	120°
CRI	Ra 81
Reported L70 (Hours)	> 54,000 Hrs
Calculated L70 (Hours)	135,000 Hrs



VARIATIONS

LC2422 AZTEC 20W Floodlight 240V, Black, 120°, Non-Dim, 5700K, 2,353lm