

AZTEC 20W

Industrial Grade Floodlight 24V

dynamic series

Efficient. Cutting Edge. Reliable

The 20W AZTEC LED Floodlight is a stylish slimline design, giving a wide beam spread for an even light coverage. Tempered glass with a hard-wearing, anti-corrosion finish.

Security lighting is becoming increasingly important. LED flood lights are now producing more light than ever for the illumination of domestic and commercial outdoor spaces. Huge savings can be made on power consumption over the life of the fitting. Also used for Signage Lighting. Five year replacement warranty.

Verified by Techlume Australia on 25/05/2023



SPECIFICATIONS

Material Specifications

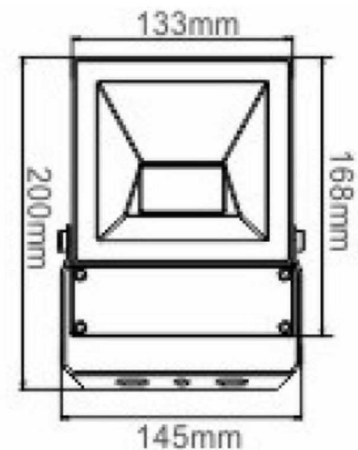
Material	Aluminium Housing, Tempered Glass
Finish	AkzoNobel Powder Coat
Dimensions	133mm(L) x 40mm(W) x 168mm(H)
Ingress Protection	IP65
Impact Rating	IK08
Weight	1.0 Kg
Warranty	5 Year Replacement

Electrical Specifications

Input Voltage	12-36VDC
Power Supply	24V Constant Voltage Driver, Remote (Sold Separately)
System Watts	24.7W
Connection Method	Hardwired, 1.8m Lead
Operating Temperature (Ta)	-20°C to +50°C

Optic Specifications

Light Source	Lumileds LED, 100 pcs SMD
Delivered Lumens	3,048lm
Efficacy	123.6lm/W
Beam Angle	120°
CRI	Ra 71
Reported L70 (Hours)	> 54,000 Hrs
Calculated L70 (Hours)	135,000 Hrs



VARIATIONS

LC2547	AZTEC 20W Floodlight 24V, Black, 120°, Non-Dim, 3000K, 3,048lm
LC2548	AZTEC 20W Floodlight 24V, Black, 120°, Non-Dim, 4000K, 3,048lm
LC2549	AZTEC 20W Floodlight 24V, Black, 120°, Non-Dim, 5700K, 3,048lm