

# AZTEC 50W

## Industrial Grade Floodlight

dynamic series

Efficient. Cutting Edge. Reliable

The 50W AZTEC LED Floodlight is a stylish slimline design, giving a wide beam spread for an even light coverage. Tempered glass with a hard-wearing, anti-corrosion finish.

Security lighting is becoming increasingly important. LED flood lights are now producing more light than ever for the illumination of domestic and commercial outdoor spaces. Huge savings can be made on power consumption over the life of the fitting. Also used for Signage Lighting. Five year replacement warranty. Removing the plug does not affect the warranty.

Verified by Techlume Australia on 09/05/2023



### SPECIFICATIONS

#### Material Specifications

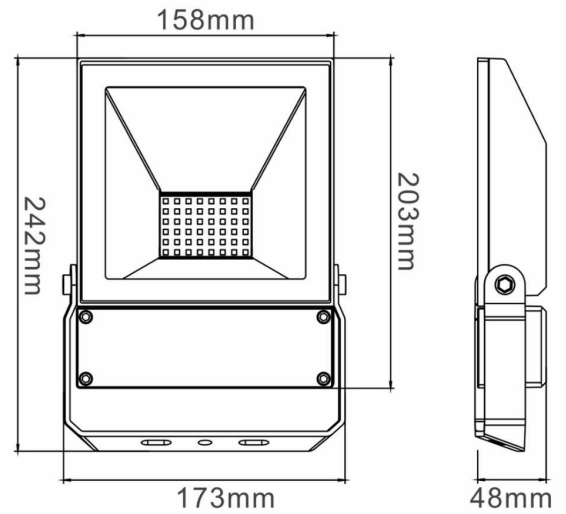
<b>Material</b>	Aluminium Housing, Tempered Glass
<b>Finish</b>	AkzoNobel Powder Coat
<b>Colour</b>	Black (Standard), White (Special Order)
<b>Dimensions</b>	158mm(L) x 48mm(W) x 203mm(H)
<b>Impact Rating</b>	IK08
<b>Ingress Protection</b>	IP65
<b>Weight</b>	1.0 Kg
<b>Warranty</b>	5 Year Replacement

#### Electrical Specifications

<b>Power Supply</b>	Non-Dim, 400mA Constant Current Integral Driver
<b>System Watts</b>	45.4W
<b>Input Voltage</b>	240V AC
<b>Connection Method</b>	Australian 3-Pin Plug & 1.8m Lead
<b>Operating Temperature (Ta)</b>	-20°C to +50°C

#### Optic Specifications

<b>Light Source</b>	CREE LED, 48 pcs SMD 2835
<b>Delivered Lumens</b>	6,022lm
<b>Efficacy</b>	132.5 lm/W
<b>Beam Angle</b>	120°
<b>CRI</b>	Ra 81
<b>Reported L70 (Hours)</b>	> 54,000 Hrs
<b>Calculated L70 (Hours)</b>	135,000 Hrs



### VARIATIONS

<b>LC2550</b>	AZTEC 50W Floodlight, Black, Non-Dim, 3000K, 6,022lm
<b>LC2551</b>	AZTEC 50W Floodlight, Black, Non-Dim, 4000K, 6,022lm
<b>LC2552</b>	AZTEC 50W Floodlight, Black, Non-Dim, 5700K, 6,022lm