

AZTEC 50W

Industrial Grade Floodlight 24V

dynamic series

Efficient. Cutting Edge. Reliable

The 50W AZTEC LED Floodlight 24V is a stylish slimline design, giving a wide beam spread for an even light coverage. Tempered glass with a hard-wearing, anti-corrosion finish.

Security lighting is becoming increasingly important. LED flood lights are now producing more light than ever for the illumination of domestic and commercial outdoor spaces. Huge savings can be made on power consumption over the life of the fitting. Also used for Signage Lighting. Five year replacement warranty.



SPECIFICATIONS

Material Specifications

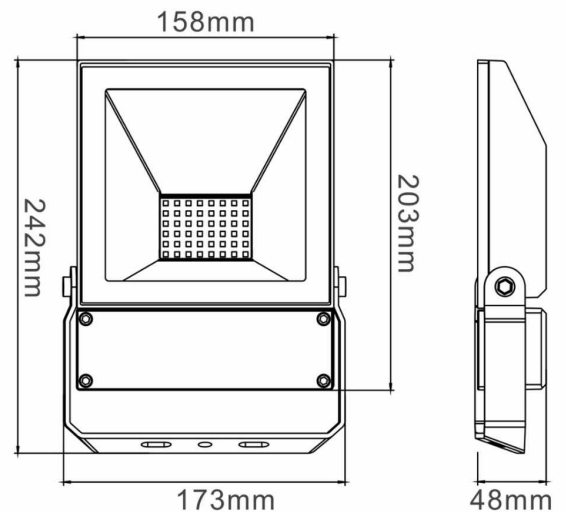
Material	Aluminium Housing, Tempered Glass
Finish	AkzoNobel Powder Coat
Dimensions	158mm(L) x 48mm(W) x 203mm(H)
Ingress Protection	IP65
Impact Rating	IK08
Weight	1.4 Kg
Warranty	5 Year Replacement

Electrical Specifications

Input Voltage	12-36VDC
Power Supply	24V Constant Voltage Driver, Remote (Sold Separately)
Connection Method	Hardwired, 1.4m Cable
Operating Temperature (Ta)	-20°C to +50°C

Optic Specifications

Light Source	Lumileds LED, 100 pcs SMD 3030
Delivered Lumens	7500lm (5700K)
Beam Angle	120°
CRI	80Ra
Calculated L70 (Hours)	135,000 Hrs
Reported L70 (Hours)	> 54,000 Hrs



VARIATIONS

LC2555	AZTEC 50W Floodlight 24V, Black, Non-Dim, 3000K, 6570lm
LC2556	AZTEC 50W Floodlight 24V, Black, Non-Dim, 4000K, 7035lm
LC2557	AZTEC 50W Floodlight 24V, Black, Non-Dim, 5700K, 7500lm
LC2557W	AZTEC 50W Floodlight 24V, White