

# AZTEC 70W

## Industrial Grade Floodlight

dynamic series

Efficient. Cutting Edge. Reliable

The 70W AZTEC LED Floodlight is a stylish slimline design, giving a wide beam spread for an even light coverage. Tempered glass with a hard-wearing, anti-corrosion finish. 4KV Surge Protection.

Security lighting is becoming increasingly important. LED flood lights are now producing more light than ever for the illumination of domestic and commercial outdoor spaces. Huge savings can be made on power consumption over the life of the fitting. Also used for Signage Lighting. Five year replacement warranty. Removing the plug does not affect the warranty.



### SPECIFICATIONS

#### Material Specifications

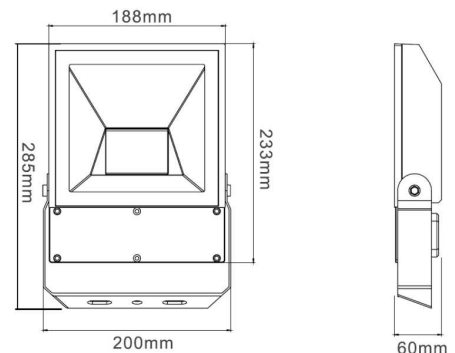
<b>Material</b>	Aluminium Die-Cast Housing, Tempered Glass
<b>Finish</b>	AkzoNobel Powder Coat
<b>Colour</b>	Black (Standard), White (Special Order)
<b>Dimensions</b>	200mm(L) x 60mm(W) x 233mm(H)
<b>Maximum Projected Area</b>	0.057m <sup>2</sup>
<b>Ingress Protection</b>	IP65
<b>Impact Rating</b>	IK08
<b>Weight</b>	2.36 Kg
<b>Warranty</b>	5 Year Replacement

#### Electrical Specifications

<b>Power Supply</b>	Non-Dim, 950mA Constant Current Integral Driver
<b>Input Voltage</b>	240VAC 50/60Hz
<b>Connection Method</b>	Australian 3-Pin Plug & 1.4m Lead (H05RN-F)
<b>Operating Temperature (Ta)</b>	-20°C to +50°C

#### Optic Specifications

<b>Light Source</b>	CREE LED, 112 pcs SMD 2835
<b>Beam Angle</b>	120°
<b>CRI</b>	>80Ra
<b>Reported L70 (Hours)</b>	> 54,000 Hrs
<b>Calculated L70 (Hours)</b>	135,000 Hrs



### VARIATIONS

<b>LC2560</b>	AZTEC 70W Floodlight, Black, Non-Dim, 3000K, 7644lm
<b>LC2561</b>	AZTEC 70W Floodlight, Black, Non-Dim, 4000K, 7963lm
<b>LC2562</b>	AZTEC 70W Floodlight, Black, Non-Dim, 5700K, 8261lm