

BALTA 10W

PIR Sensor Downlight

The BALTA 10W PIR Sensor downlight uses a high-lumen SMD LED, with an even light output. Aluminum-coated plastic housing provides good heat dissipation. Advanced PIR sensor and PWM optic control module to reach a comfortable lighting effect using Fresnel lens, with sensitive induction, wide detective beam angle and distance.

- Compact design, with built-in driver.
- IP54 front waterproof, IP40 for other parts.
- With PIR sensor function.
- Fade-in and fade-out sensor light effect.



SPECIFICATIONS

Material Specifications

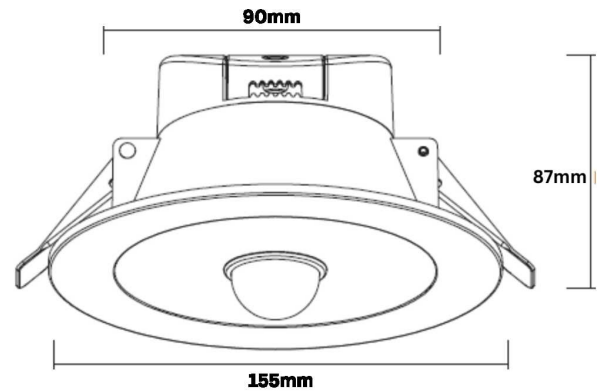
Material	Aluminum Coated Plastic Housing
Dimensions	115mm(Dia) x 73mm(H)
Cutout	90mm (Dia)
Ingress Protection	IP54 on Front
Warranty	5 Year Replacement
Sensor Detection Radius	2.5m Radius

Electrical Specifications

Power Supply	Integrated Power Supply, Phase Dim
Connection Method	2-pin AU Plug & Lead
Sensor Specifications	Sensor
Input Voltage	240V

Optic Specifications

Beam Angle	90°
Light Source	Bridgelux 15W LED
Operating Temperature (Ta)	-10℃ ~ 45℃
Nominal Lumens	750lm - 830lm
CRI	> 80Ra
Colour Deviation	SDCM ≤ 5
Correlated Colour Temperature	3000K/ 4000K/ 5000K
Reported L70 (Hours)	> 45,000 Hrs



VARIATIONS

LC3401 BALTA 10W PIR Sensor Downlight, White, Non-Dim, Tri-Colour