

Classic Series

Proven. Quality. Customisable

BLAIZE 24W

Rectangle Panel Light 600x300

Parallel to the ever-increasing need for comfort-enhancing lighting that blends smoothly into the ceiling architecture, are the demands to reduce energy and maintenance costs. The BLAIZE 24W Panel Light 600x300 not only provides glare-free comfort and clean aesthetics, it also creates a special blending of light.

The slim design enables technical equipment to be more easily installed in the ceiling cavity. It offers a good balance between initial cost and ROI, making it the ideal choice for delivering excellent quality of light.

Verified by Techlume Australia on 24/03/2023



SPECIFICATIONS

Material Specifications

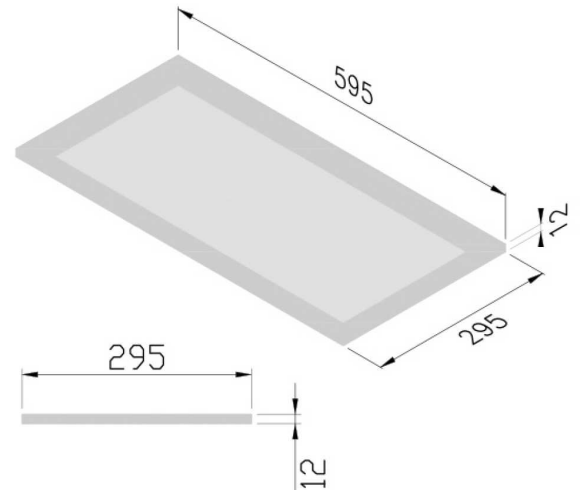
Material	White Aluminium Frame. PMMA
Dimensions	595mm (L) x 295mm (W) x 12mm (D)
Ingress Protection	IP44
Warranty	5 Year Replacement
Weight	2.2Kg
Options	Surface Mount, Plaster Recess & Suspension Kits

Electrical Specifications

Power Supply	Non-Dim Boke Remote Driver
System Watts	24.7W
Input Voltage	240V
Connection Method	Australian 2-Pin Plug & 1.0m Lead
Operating Temperature (Ta)	-20°C to +45°C

Optic Specifications

Light Source	Epistar, 2-side Edge lit
Delivered Lumens	2,931lm
Efficacy	118.8lm/W
CRI	Ra 83
Beam Angle	120°
Reported L70 (Hours)	> 54,000 Hrs



VARIATIONS

LC7030	BLAIZE 24W LED Panel Light, 600x300, White Trim, Non-Dim, 4000K, 2,931lm
LC7030D	BLAIZE 24W LED Panel Light, 600x300, White Trim, DALI, 4000K, 2,931lm