

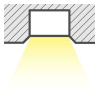
Classic Series

Proven. Quality. Customisable

BLAIZE 30W

Rectangle Panel Light 1200x300

The BLAIZE 30W LED Panel Light is at the leading edge of commercial lighting. Use this 2' x 4' rectangular LED panel light for office lighting, basement lighting, gym lighting, school lighting and hospital lighting! BLAIZE LED light panels are designed for residential and commercial suspended grid ceilings. Replace existing fluorescent troffer light fixtures or use for new construction applications. Eliminate maintenance costs and enjoy a high efficiency light source. With an optical diffuser, the LED panel light delivers a smooth, flawless wall of illumination without visible bulbs or hot spots. Mount with our suspension kit, plaster recess kit or surface mount kit. Dimmable driver available.



IP44



Flicker Free



SPECIFICATIONS

Material Specifications

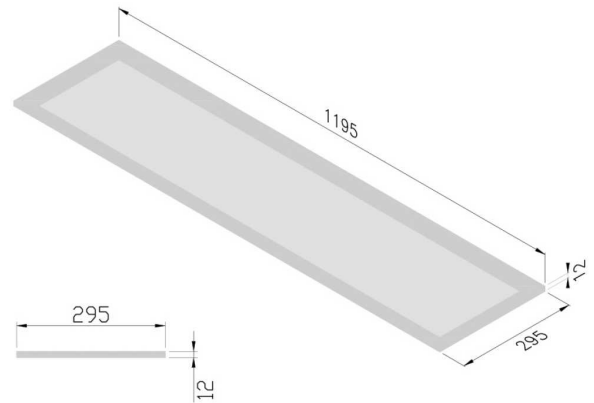
Material	White Aluminium Frame. PMMA
Dimensions	1195mm (L) x 295mm (W) x 12mm (D)
Ingress Protection	IP44
Warranty	5 Year Replacement
Weight	3.2Kg
Accessories	Surface Mount, Plaster Recess & Suspension Kits

Electrical Specifications

Power Supply	Non-Dim Boke Remote Driver
Options	DALI Available
Connection Method	Australian 2-Pin Plug & 1.0m Lead
Input Voltage	240V
Operating Temperature (Ta)	-20°C to +45°C

Optic Specifications

Light Source	30W Epistar, 2-side Edge lit
Efficacy	120lm/W
Delivered Lumens	3691lm (4000K)
CRI	> 80Ra
Beam Angle	120°
Reported L70 (Hours)	> 54,000 Hrs



VARIATIONS

LC7160	BLAIZE 30W 1200x300 Panel Light, Non-Dim, 3000K
LC7161	BLAIZE 30W 1200x300 Panel Light, Non-Dim, 4000K, 3691lm