

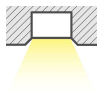
Classic Series

Proven. Quality. Customisable

BLAIZE 40W

Rectangle Panel Light 1200x300

The BLAIZE 40W LED Panel Light is at the leading edge of commercial lighting. Use this 2' x 4' rectangular LED panel light for office lighting, basement lighting, gym lighting, school lighting and hospital lighting! BLAIZE LED light panels are designed for residential and commercial suspended grid ceilings. Replace existing fluorescent troffer light fixtures or use for new construction applications. Eliminate maintenance costs and enjoy a high efficiency light source. With an optical diffuser, the LED panel light delivers a smooth, flawless wall of illumination without visible bulbs or hot spots. Mount with our suspension kit, plaster recess kit or surface mount kit. Dimmable driver available.



IP44



Flicker Free



SPECIFICATIONS

Material Specifications

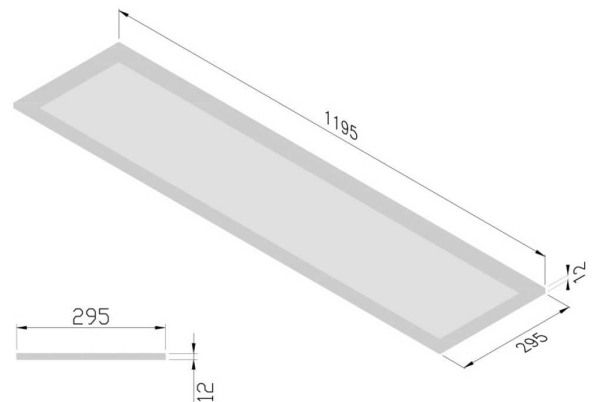
Material	White Aluminium Frame. PMMA
Dimensions	1195mm (L) x 295mm (W) x 12mm (D)
Ingress Protection	IP44
Warranty	5 Year Replacement
Weight	3.2Kg
Accessories	Surface Mount, Plaster Recess & Suspension Kits

Electrical Specifications

Power Supply	Non-Dim Boke Remote Driver
Options	DALI Available
Connection Method	Australian 2-Pin Plug & 1.2m Lead
Input Voltage	240V
Operating Temperature (Ta)	-20°C to +45°C

Optic Specifications

Light Source	40W Epistar, 2-side Edge lit
Nominal Lumens	4,750lm (4000K)
Nominal Lumens	4,510lm (3000K)
CRI	80Ra
Reported L70 (Hours)	> 54,000 Hrs



VARIATIONS

LC7171	BLAIZE 40W 1200x300 Panel Light, White, 120°, Non-Dim, 4000K, 4,750lm
LC7171D	BLAIZE 40W 1200x300 Panel Light, White, 120°, DALI, 4000K, 4,750lm
LC7170	BLAIZE 40W 1200x300 Panel Light, White, 120°, Non-Dim, 3000K, 4,510lm
LC7170D	BLAIZE 40W 1200x300 Panel Light, White, 120°, DALI, 3000K, 4,510lm