

dynamic series

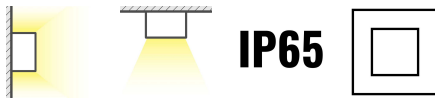
Efficient. Cutting Edge. Reliable

CARSON 9-23W Tri-Colour Round Bulkhead

The CARSON Round Bulkhead is an architectural oyster light, designed for ultimate versatility and ease of installation with ceiling or wall mounting options. Ideal for illuminating outdoor commercial applications with an IP65 rating that ensures it is watertight, dustproof and durable for any weather condition. Select between 9W, 14W, 18W, 23W via a dip switch.

	9W	14W	18W	23W
3000K	782lm	1,202lm	1,494lm	1,896lm
4000K	816lm	1,268lm	1,583lm	2,007lm
5700K	830lm	1,285lm	1,569lm	1,977lm

Verified by Techlume Australia on 24/08/2023



SPECIFICATIONS

Material Specifications

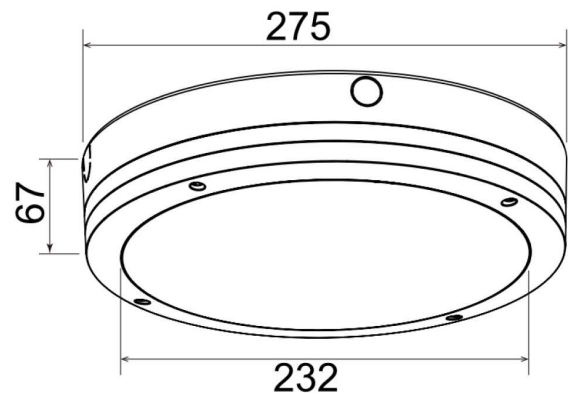
Material	Polycarbonate Body & Polycarbonate Diffuser
Colour	RAL9005 Jet Black
Dimensions	275mm (Dia) x 67mm(D)
Ingress Protection	IP65
Impact Rating	IK10
Warranty	5 Year Replacement

Electrical Specifications

Input Voltage	240V AC
Power Supply	Integrated Driver, 260mA
System Watts	9W, 14W, 18W, 23W
Connection Method	Hard Wired
Operating Temperature (Ta)	-20°C to +45°C

Optic Specifications

Light Source	Epistar LED 2835SMD Chip
Efficacy	Up to 93.3 lm/W
Beam Angle	115°
CRI	Ra >82
Reported L70 (Hours)	50,000 Hrs



VARIATIONS

LC3919	CARSON 9W-23W Round Bulkhead, Black, 115°, Non-Dim, Tri-Colour, 782lm - 2,007lm
LC3919W	CARSON 9W-23W Round Bulkhead, White, 115°, Non-Dim, Tri-Colour, 782lm - 2,007lm