

dynamic series

Efficient. Cutting Edge. Reliable

COMET 12W

Oval IP54 Bulkhead

The COMET 12W Oval Bulkhead is an oval shaped low profile luminaire. Constructed from poly-carbonate, it is a robust, corrosion free and extremely durable fitting, designed for exterior use on walls and eaves. It is also suited for marine environments.

12W Exterior Bulkhead, with a 5 Year warranty. A bright light that contributes to the security around buildings. Available in Cool White.



IP54



SPECIFICATIONS

Material Specifications

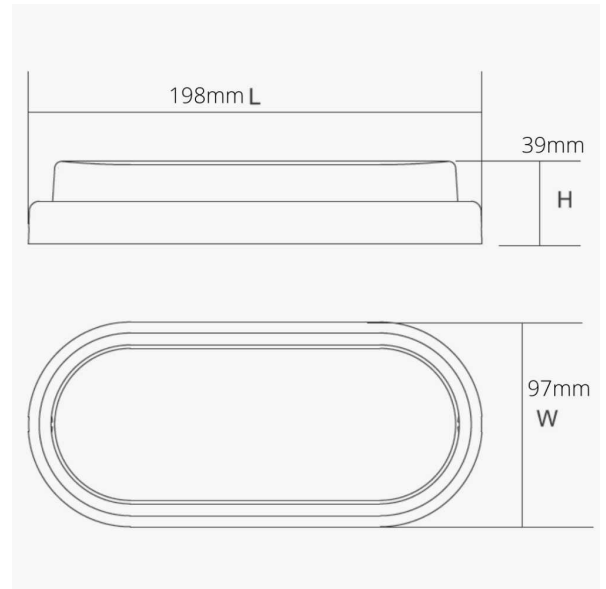
Material	PC Base & Cover
Dimensions	198mm x 97mm x 39mm
Ingress Protection	IP54
Benefits	White & Black Trims included
Warranty	5 Year Replacement

Electrical Specifications

Power Supply	Integral, Non-Dim
Input Voltage	240V
Operating Temperature (Ta)	-20°C to +40°C
Connection Method	Hard Wiring Required

Optic Specifications

Light Source	12W LED Epistar, SMD2835
Nominal Lumens	900lm
Beam Angle	120°
CRI	> 80Ra
Reported L70 (Hours)	> 40,000 Hrs



VARIATIONS

LC6531	COMET 12W Oval Bulkhead, 120°, Non-Dim, 4000K
---------------	---