

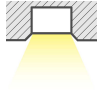
**Classic Series**

Proven. Quality. Customisable

# BLAIZE 30W

## Square Panel Light 600x600

The BLAIZE LED Panel Light series is at the leading edge of commercial lighting. BLAIZE 30W LED 600x600 Light Panels are a revolutionary replacement for traditional fluorescent tubes. Our LED light panels use a high brightness quality LED chip modules as a light source which consumes up to 70% less energy. Designed for offices, hotels, meeting rooms, home interiors, school classrooms etc. Dimmable Drivers available. Suitable for surface mounting, recessed or suspended.



**IP44**



**Flicker Free**



### SPECIFICATIONS

#### Material Specifications

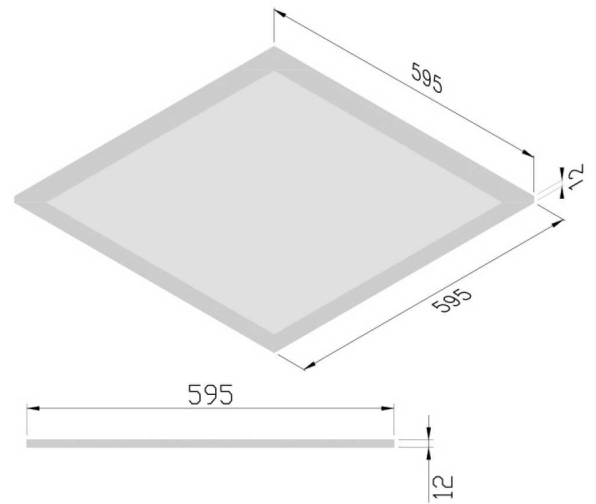
<b>Material</b>	White Aluminium Frame. PMMA
<b>Dimensions</b>	595mm (L) x 595mm (W) x 12mm (D)
<b>Ingress Protection</b>	IP44
<b>Options</b>	Surface Mount, Plaster Recess & Suspension Kits
<b>Weight</b>	3.2Kg
<b>Warranty</b>	5 Year Replacement

#### Electrical Specifications

<b>Power Supply</b>	Non-Dimmable Boke 30W Remote Driver
<b>Input Voltage</b>	240V
<b>Options</b>	DALI Available
<b>Output Voltage</b>	25V-42V (Driver output) Constant Current
<b>Connection Method</b>	Australian 2-Pin Plug & 1.2m Lead
<b>Operating Temperature (Ta)</b>	-20°C to +45°C

#### Optic Specifications

<b>Light Source</b>	30W Epistar SMD 144 pcs, 2-side Edge lit
<b>Nominal Lumens</b>	3685lm (4000K)
<b>CRI</b>	80Ra
<b>Beam Angle</b>	120°
<b>Colour Deviation</b>	SDCM ≤ 4
<b>Reported L70 (Hours)</b>	> 54,000 Hrs



### VARIATIONS

<b>LC7162</b>	BLAIZE 30W 600x600 Panel Light, White, Non-Dim, 3000K
<b>LC7163</b>	BLAIZE 30W 600x600 Panel Light, White, Non-Dim, 4000K