

Classic Series

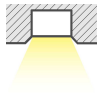
Proven. Quality. Customisable

BLAIZE 40W

Panel Light 600x600

The BLAIZE 40W LED Panel Light is at the leading edge of commercial lighting. Suitable for surface mounting, recessed or suspended. Eliminate maintenance costs and enjoy a high efficiency light source. Dimmable Drivers are available.

The 40W BLAIZE 600x600 Panel Light offers a unique combination of aesthetics and performance. It helps declutter ceiling architectures, with a reduced installation time and cost.



IP44



Flicker Free



SPECIFICATIONS

Material Specifications

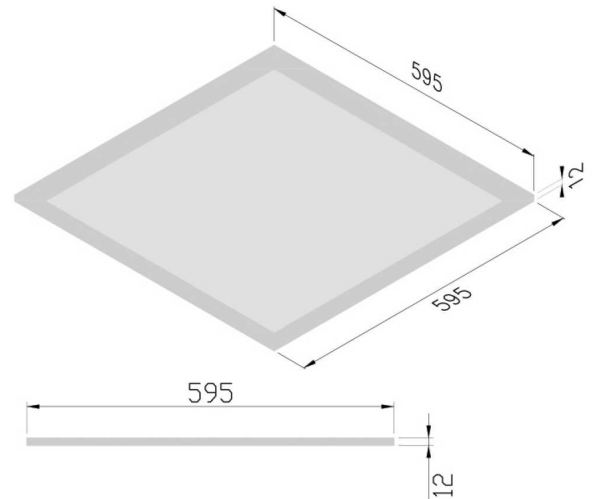
Material	White Aluminium Frame. PMMA
Dimensions	595mm (L) x 595mm (W) x 12mm (D)
Ingress Protection	IP44
Options	Surface Mount, Plaster Recess & Suspension Kits
Weight	3.2Kg
Warranty	5 Year Replacement

Electrical Specifications

Power Supply	Non-Dimmable Boke 40W Remote Driver
Input Voltage	25V-42V (Driver output) Constant Current
Connection Method	Australian 2-Pin Plug & 1.2m Lead
Operating Temperature (Ta)	-20°C to +45°C

Optic Specifications

Light Source	40W Epistar SMD 144 pcs, 4-side Edge lit
Nominal Lumens	4760lm (4000K)
CRI	80Ra
Beam Angle	120°
Colour Deviation	SDCM ≤ 3
Rated Lifetime (L80B10)	50,000 Hrs



VARIATIONS

LC7172	BLAIZE 40W 600x600 Panel Light, White, Non-Dim, 3000K
LC7173	BLAIZE 40W 600x600 Panel Light, White, Non-Dim, 4000K