

Classic Series

Proven. Quality. Customisable

CREST 18W

UGR<19 Panel Light 600x300

The CREST 18W Panel Light 600x300 is at the leading edge of commercial lighting. Suitable for surface mounting or recessed or suspended. Eliminate maintenance costs and enjoy a high-efficiency light source. DALI Dimmable driver is available. This LED panel light is a brilliant light that offers high performance combined with affordability and sustainability.

Verified by Techlume Australia on 25/08/2023



SPECIFICATIONS

Material Specifications

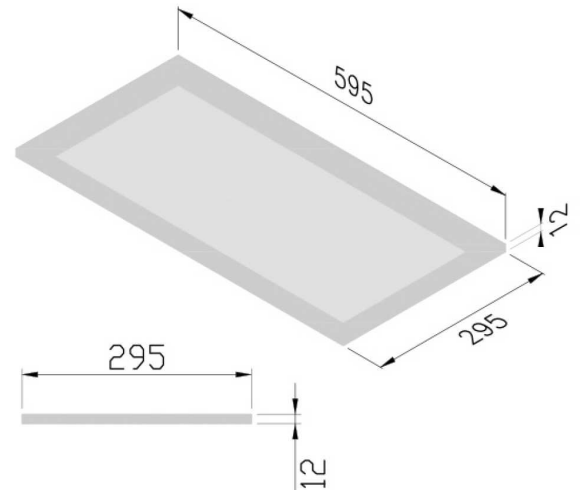
Material	White Aluminium Frame. PMMA
Dimensions	295mm x 595mm x 12mm
Ingress Protection	IP44
Weight	2.2Kg
Options	Surface Mount, Plaster Recess & Suspension Kits
Warranty	5 Year Replacement

Electrical Specifications

Power Supply	Non-Dimmable Boke Remote Driver
System Watts	17.4W
Input Voltage	240V
Connection Method	Australian 2-Pin Plug & 1.2m Lead
Operating Temperature (Ta)	-20°C to +45°C

Optic Specifications

Light Source	Epistar, 2-side Edge lit
Nominal Lumens	2,266lm
Efficacy	130.4 lm/W
CRI	Ra 82
Beam Angle	80°
Colour Deviation	SDCM ≤ 3
Rated Lifetime (L70B20)	50,000 Hrs



VARIATIONS

LC7190	CREST 18W LED Anti-Glare Panel Light 600x300, White, 80°, Non-Dim, 4000K, 2,266lm
LC7190D	CREST 18W LED Anti-Glare Panel Light 600x300, White, 80°, DALI Dim, 4000K, 2,266lm