

**Classic Series**

Proven. Quality. Customisable

# CREST 24W

## Square UGR<19 Panel Light 600x600

The CREST 24W LED is a high performing 600x600 Panel Light designed with a honeycomb diffuser which perfects the balance between light distribution, low glare, and visual appeal. CREST range are the ideal alternative to T8 fluorescent troffers and compare well with current T5 technology. They are used widely in a range of applications across Australia.

Verified by Techlume Australia on 12/07/2023



### SPECIFICATIONS

#### Material Specifications

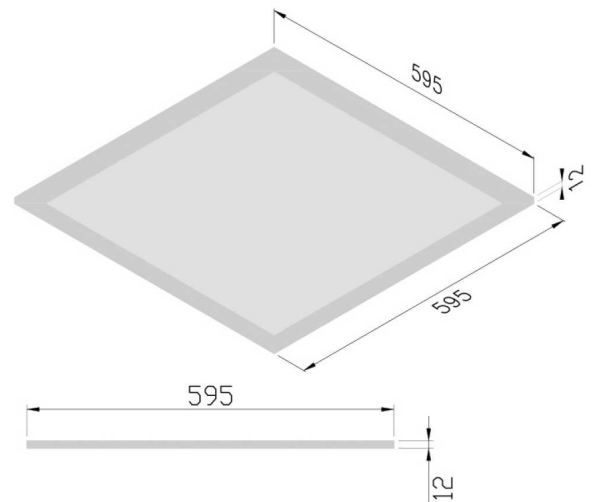
<b>Material</b>	Aluminium Edgefold Back Sheet
<b>Finish</b>	White
<b>Dimensions</b>	595mm (L) x 595mm (W) x 10mm (D)
<b>Ingress Protection</b>	IP44
<b>Accessories</b>	Surface Mount Kits, Plaster Recessed Kits, Suspension Kits
<b>Weight</b>	3kg
<b>Warranty</b>	5 Year Warranty

#### Electrical Specifications

<b>Power Supply</b>	Non-Dim Driver
<b>Options</b>	DALI Available
<b>System Watts</b>	24.4W
<b>Input Voltage</b>	240V
<b>Connection Method</b>	Australian 2-Pin Plug & 1.2m Lead
<b>Operating Temperature (Ta)</b>	-20°C to +45°C

#### Optic Specifications

<b>Optics</b>	PMMA LGP
<b>Light Source</b>	4 Sides Edge-lit
<b>Delivered Lumens</b>	3,094lm
<b>Efficacy</b>	127 lm/W
<b>CRI</b>	Ra 82
<b>UGR</b>	< 19
<b>Reported L70 (Hours)</b>	> 54,000 Hrs



### VARIATIONS

<b>LC7214</b>	CREST 24W Anti-Glare Panel Light 600x600, 100°, Non-Dim, 3000K
<b>LC7215</b>	CREST 24W Anti-Glare Panel Light 600x600, 100°, Non-Dim, 4000K, 3,094lm
<b>LC7215D</b>	CREST 24W Anti-Glare Panel Light 600x600, 100°, DALI, 4000K, 3,094lm