

Classic Series

Proven. Quality. Customisable

CREST 30W

Square UGR<19 Panel Light 600x600

The CREST 30W LED is a high performing 600x600 Panel Light designed with a honeycomb diffuser which perfects the balance between light distribution, low glare, and visual appeal. Applications including Schools, Universities, Offices, Libraries, Lobbies, Toilets, Office Areas, Meeting Rooms, Boardrooms, Conference Rooms, Classrooms.

Verified by Techlume Australia on 11/07/2023



Flicker Free



SPECIFICATIONS

Material Specifications

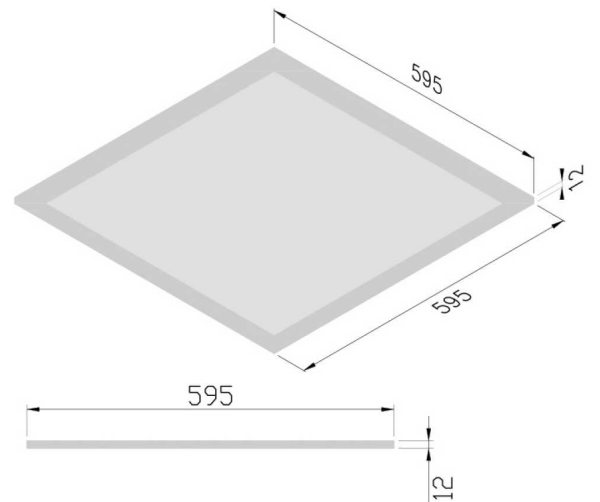
Material	Aluminium Edgefold Back Sheet
Finish	White
Dimensions	595mm (L) x 595mm (W) x 10mm (D)
Ingress Protection	IP44
Accessories	Surface Mount Kits, Plaster Recessed Kits, Suspension Kits
Weight	3kg
Warranty	5 Year Warranty

Electrical Specifications

Power Supply	Non-Dim Driver (Flicker Free)
System Watts	28.3W
Input Voltage	240V
Options	DALI Available
Connection Method	Australian 2-Pin Plug & 1.2m Lead
Operating Temperature (Ta)	-20°C to +45°C

Optic Specifications

Optics	PMMA LGP
Light Source	LED, 2 Sides Edge-lit
Delivered Lumens	3,265lm
Efficacy	115.2 lm/W
CRI	Ra 82, Ra 93
Reported L70 (Hours)	> 54,000 Hrs



VARIATIONS

LC7142	CREST 30W Anti-Glare Panel Light 600x600, 80°, Non-Dim, 3000K
LC7143	CREST 30W Anti-Glare Panel Light 600x600, 80°, Non-Dim, 4000K, 3,265lm
LC7143R	CREST 30W Anti-Glare Panel Light 600x600, CRI90, 80°, Non-Dim, 4000K, 3,265lm
LC7143D	CREST 30W Anti-Glare Panel Light 600x600, 80°, DALI Dim, 4000K, 3,265lm