

Classic Series

Proven. Quality. Customisable

CREST 40W

Square UGR<19 Panel Light 600x600

The CREST 40W LED is a high performing 600x600 Panel Light designed with a honeycomb diffuser which perfects the balance between light distribution, low glare, and visual appeal. Applications including Schools, Universities, Offices, Libraries, Lobbies, Toilets, Office Areas, Meeting Rooms, Boardrooms, Conference Rooms, Classrooms.



IP44



Flicker Free



SPECIFICATIONS

Material Specifications

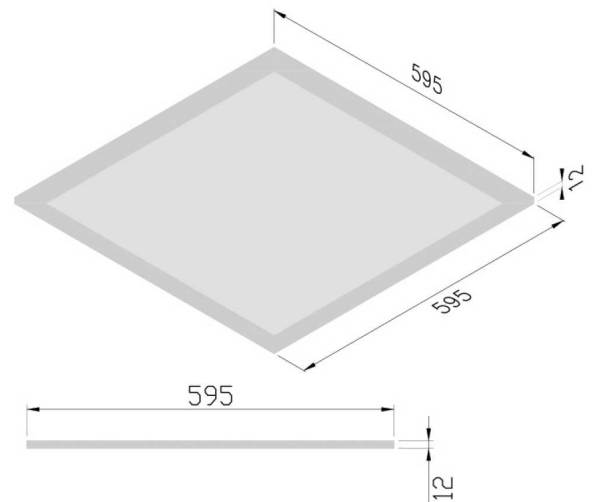
Material	Aluminium Edgefold Back Sheet
Finish	White
Dimensions	595mm (L) x 595mm (W) x 10mm (D)
Ingress Protection	IP44
Accessories	Surface Mount Kits, Plaster Recessed Kits, Suspension Kits
Weight	3kg
Warranty	5 Year Warranty

Electrical Specifications

Power Supply	Non-Dim Driver (Flicker Free)
Options	DALI Available
Input Voltage	240V
Connection Method	Australian 2-Pin Plug & 1.2m Lead
Operating Temperature (Ta)	-20°C to +45°C

Optic Specifications

Optics	PMMA LGP
Delivered Lumens	4794lm
Light Source	LED, 2 Sides Edge-lit
CRI	80Ra
Reported L70 (Hours)	> 54,000 Hrs



VARIATIONS

LC7152	CREST 40W Anti-Glare Panel Light 600x600, 100°, Non-Dim, 3000K
LC7153	CREST 40W Anti-Glare Panel Light 600x600, 100°, Non-Dim, 4000K, 4794lm