

Classic Series

Proven. Quality. Customisable

CYGNUS 18W

Round Surface Can Light

The CYGNUS Surface Mounted Can Light boasts a sleek cylindrical design and exceptional color rendering capabilities, making it an ideal choice to elevate any interior space, be it living areas or hallways. Its surface-mounted construction makes it perfect for concrete ceiling installations. For added versatility, one metre rod and cable suspension kits are also available, ensuring seamless integration into any design scheme.



IP20

SPECIFICATIONS

Material Specifications

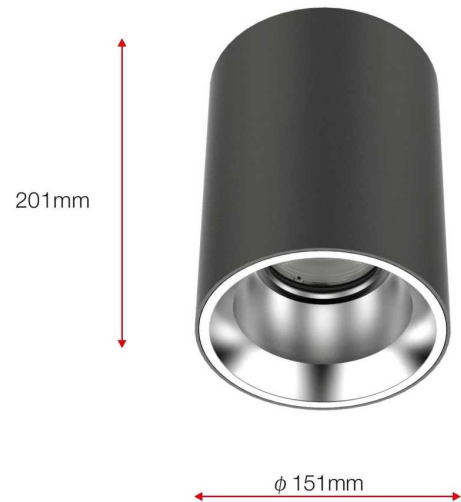
Material	Die-Cast Aluminium
Finish	Textured Powder coat
Dimensions	151mm (Dia) x 201mm (H)
Impact Rating	IK07
Ingress Protection	IP20
Warranty	5 Year Replacement

Electrical Specifications

Power Supply	Hytronic 21W Integral Driver, Phase Dim
Connection Method	Terminal Block in base
Input Voltage	240V

Optic Specifications

Light Source	Citizen 18W LED
Delivered Lumens	1980lm
CRI	> 86Ra
R9 Value	24
Colour Deviation	SDCM ≤ 3
Reported L70 (Hours)	> 54,000 Hrs
Calculated L70 (Hours)	115,000 Hrs



VARIATIONS

LC4150	CYGNUS 18W Surface Mount Can Light, White, 60°, Phase Dim, 3000K, 1980lm
LC4151	CYGNUS 18W Surface Mount Can Light, Black, 60°, Phase Dim, 3000K, 1980lm
LC4152	CYGNUS 18W Surface Mount Can Light, White, 60°, Phase Dim, 4000K, 1980lm
LC4153	CYGNUS 18W Surface Mount Can Light, Black, 60°, Phase Dim, 4000K, 1980lm
LC4158	Cygnus Suspension Rod (1.0m), Black
LC4159	Cygnus Suspension Cable (1.0m), Black
LC4156	Cygnus Suspension Rod (1.0m), White
LC4157	Cygnus Suspension Cable (1.0m), White