

MODULO-A 2W Square

Surface Step Light

diomede

let there be light

The Modulo A is an IP rated square path light, compact enough for both indoor and outdoor applications.

A marine-grade aluminium alloy housing treated with polyester powder coating makes the Modulo A family suitable for installation in the most harsh environments. The anodised aluminium reflector in silver or optional specular brass also gives to the Modulo an innovative and modern look. This versatile wall light offers a range of IP-rated or Non-IP rated remote drivers that can be easily integrated into any home or professional automation systems. Premium Quality, Italian Made product.

IP65 **MADE IN ITALY**



SPECIFICATIONS

Material Specifications

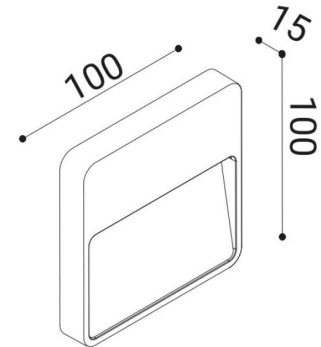
Material	Aluminium Die-Cast Housing
Finish	Powder Polyester Coated
Ingress Protection	IP65
Dimensions	100mm(L) x 15mm(W) x 100(H)
Mounting	Wall Mounted, Surface
Warranty	5 Year Replacement

Electrical Specifications

Power Supply	Supplied Separately
Input Voltage	24V

Optic Specifications

Delivered Lumens	102lm
CRI	80Ra
Reported L70 (Hours)	> 54,000 Hrs



VARIATIONS

900611002	MODULO-A 2W Square Surface Step Light, White, 3000K, 102lm
900611003	MODULO-A 2W Square Surface Step Light, Sand, 3000K, 102lm
900611004	MODULO-A 2W Square Surface Step Light, Grey, 3000K, 102lm
900611005	MODULO-A 2W Square Surface Step Light, Aluminium, 3000K, 102lm