

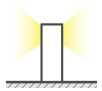
ZEUS 10W

115mm Bollard

diomede

let there be light

The ZEUS 10W Exterior Bollard Light features a durable die-cast aluminium body and a tempered clear glass screen, screen-printed and mechanically secured with silicone glue for optimal strength. It provides diffused downward lighting. Image is shown in Sand. Powder polyester coating over a treated layer ensures corrosion resistance, with four standard colours available. Anchor bolts and connectors for ground installation are sold separately. Diomede product is a Premium Quality, Italian Made product.



IP65



MADE IN ITALY



SPECIFICATIONS

Material Specifications

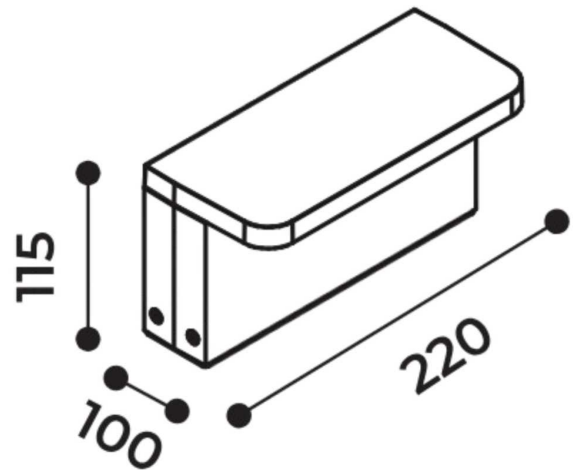
Material	Die-cast Aluminium & Tempered Glass
Dimensions	220mm(L) x 100mm(W) x 115mm(H)
Ingress Protection	IP65
Impact Rating	IK06
Warranty	5 Year Replacement

Electrical Specifications

Power Supply	Integrated, Non-Dimmable
Input Voltage	220-240V
Connection Method	Hard Wired

Optic Specifications

Light Source	MID Power LED 10W
CRI	80Ra
Rated Lifetime (L70B20)	50,000 Hrs



VARIATIONS

901511042	ZEUS 10W Bollard, 115mm, White, 3000K, 672lm
901521042	ZEUS 10W Bollard, 115mm, White, 4000K, 705lm
901511043	ZEUS 10W Bollard, 115mm, Sand, 3000K, 672lm
901521043	ZEUS 10W Bollard, 115mm, Sand, 4000K, 705lm
901511044	ZEUS 10W Bollard, 115mm, Graphite, 3000K, 672lm
901521044	ZEUS 10W Bollard, 115mm, Graphite, 4000K, 705lm
901511045	ZEUS 10W Bollard, 115mm, Aluminium, 3000K, 672lm
901521045	ZEUS 10W Bollard, 115mm, Aluminium, 4000K, 705lm