

EMPRESS 10W

Recessed Fixed Downlight

dynamic series

Efficient. Cutting Edge. Reliable

The EMPRESS Fixed Recessed Downlight is used in commercial projects, as a comfortable and efficient lighting solution. A compact architectural downlight suitable for a variety of applications. It adopts a high lumen COB LED, and PMMA diffuser with even light output. The dali dimmable version has shown great popularity with excellent dimming effect.

Verified by Techlume Australia on 30/03/2023



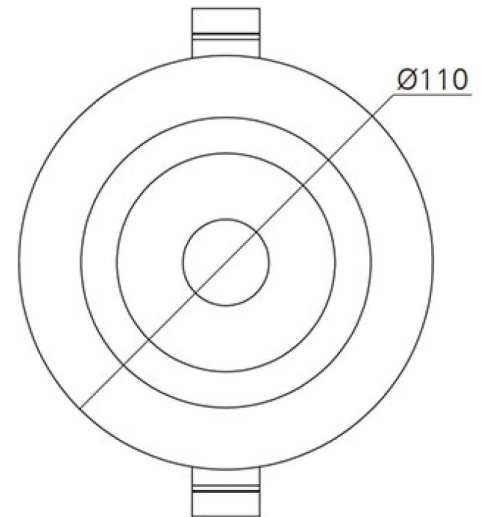
SPECIFICATIONS

Material Specifications

Material	High Grade Aluminum + Reflector
Dimensions	110mm Face Dia x 65mm (H)
Cutout	90mm (Dia)
Colour	Matt White (Black & Silver available for project orders)
Ingress Protection	IP65
Impact Rating	IK06
Warranty	5 Year Replacement

Electrical Specifications

Power Supply	Dimmable 23-40VDC 230mA
System Watts	10.1W
Input Voltage	240V, 50/60Hz
Operating Temperature (Ta)	-20°C to +45°C
Thermal Testing	Compliant with IC Classification
Connection Method	Australian Plug & 1.2m Lead
Protection	Voltage Overload, Temp Overload, Short Circuit



Optic Specifications

Light Source	CREE 10W COB LED
Delivered Lumens	1,004lm (3000K)
Delivered Lumens	1,066lm (4000K)
Efficacy	Up to 105.8 lm/W
CRI	> Ra 82
Beam Angle	60° (36° Available for Project Order)
Calculated L70 (Hours)	L70B50 = >60,000 Hrs
Calculated L80 (Hours)	L80B50 = > 60,000 Hrs
Calculated L90 (Hours)	L90B50 = > 56,000 Hrs

VARIATIONS

LC3595	EMPRESS 10W Fixed Downlight, White, 60°, Phase Dim, 3000K, 1,004lm
LC3595B	EMPRESS 10W Fixed Downlight, Black, 60°, Phase Dim, 3000K, 1,004lm
LC3596	EMPRESS 10W Fixed Downlight, White, 60°, Phase Dim, 4000K, 1,066lm
LC3596B	EMPRESS 10W Fixed Downlight, Black, 60°, Phase Dim, 4000K, 1,066lm