

dynamic series

Efficient. Cutting Edge. Reliable

EMPRESS 15W

Recessed Gimbal Downlight Tri-Colour

The EMPRESS 15W Tri-colour downlight is an architectural, adjustable downlight, constructed with a thermal heatsink included to ensure the downlight disperses any heat keeping it cool to touch. It offers ultimate flexibility with tricolour technology. Used by builders, developers and a favourite with electricians.

EMPRESS 15W LED Down light adopts a high lumen COB LED, and PMMA diffuser with even light output. DALI dimmable version has shown great popularity with excellent dimming effect.

Verified by Techlume Australia on 18/10/2023



SPECIFICATIONS

Material Specifications

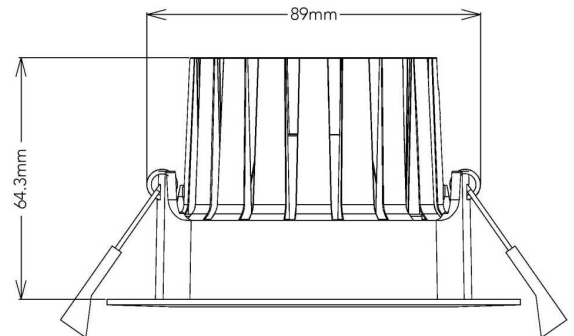
Material	High Grade Aluminum + Reflector
Dimensions	110mm Face Dia x 65mm (H)
Cutout	90mm (Dia)
Finish	Matt White (Black & Silver available for project orders)
Ingress Protection	IP65
Impact Rating	IK06
Warranty	5 Year Replacement

Electrical Specifications

Power Supply	Dimmable, 23-40VDC 350mA
System Watts	13.8W - 14.6W
Input Voltage	240V, 50/60Hz
Operating Temperature (Ta)	-20°C to +45°C
Thermal Testing	Compliant with IC Classification
Protection	Voltage Overload, Temp Overload, Short Circuit
Connection Method	Australian Plug & 1.2m Lead

Optic Specifications

Light Source	CREE 15W COB LED
Delivered Lumens	1,305lm (3000K)
Delivered Lumens	1,444lm (4000K)
Delivered Lumens	1,381lm (5000K)
CRI	Ra >91
Beam Angle	60° (36° Available for Project Order)
Reported L70 (Hours)	>54,000 Hrs



VARIATIONS

LC3578-G	EMPRESS 15W Gimbal Downlight, White, 60°, Phase Dim, Tri-Colour
LC3578B-G	EMPRESS 15W Gimbal Downlight, Black, 60°, Phase Dim, Tri-Colour
LC3578S-G	EMPRESS 15W Gimbal Downlight, Silver, 60°, Phase Dim, Tri-Colour