

WALTZ 10W

Square Downlight

dynamic series

Efficient. Cutting Edge. Reliable

This WALTZ 10W downlight is a gyro design. It adopts a Citizen COB and a high transmittance rate lens to keep high light efficiency. ADC12 Aluminum profile provides excellent thermal dissipation. Modular design with reflector type optic. Square shape with one head. The luminaire is tilted 25° in all directions (360°), perfectly meet the demands of different lighting angles. Beam angles available are 36° or 60°.



SPECIFICATIONS

Material Specifications

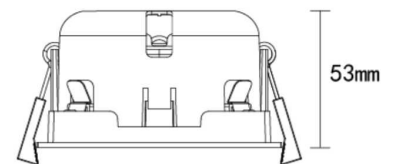
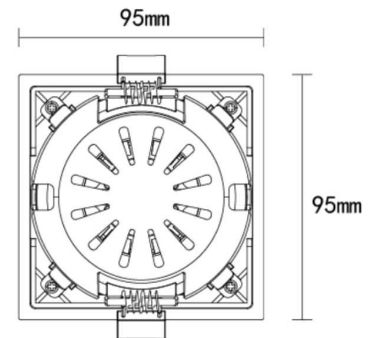
Material	Premium Grade Aluminum
Colour	Powdercoated Matt White / Black
Warranty	5 Year Replacement
Dimensions	95mm x 95mm x 53mm
Cutout	89mm x 89mm
Ingress Protection	IP54

Electrical Specifications

Power Supply	Remote, 230mA, Flicker Free
System Watts	9.7W
Input Voltage	240V

Optic Specifications

Light Source	1 x Citizen COB LED
Optics	Reflector Type
Delivered Lumens	954lm
Efficacy	98.3 lm/W
CRI	Ra 83
Reported L70 (Hours)	> 54,000 Hrs



VARIATIONS

LC3420W	WALTZ Single 10W Square Gimbal Downlight, White, 60°, Phase Dim, 3000K, 954lm
LC3420B	WALTZ Single 10W Square Gimbal Downlight, Black, 60°, Phase Dim, 3000K, 954lm
LC3421W	WALTZ Single 10W Square Gimbal Downlight, White, 60°, Phase Dim, 4000K, 954lm
LC3421B	WALTZ Single 10W Square Gimbal Downlight, Black, 60°, Phase Dim, 4000K, 954lm
LC3421W-36	WALTZ Single 10W Square Gimbal Downlight, White, 36°, Phase Dim, 4000K, 954lm