

dynamic series

Efficient. Cutting Edge. Reliable

WALTZ 20W

Rectangle Downlight

The WALTZ 20W rectangle downlight is a gyro design. It adopts a Citizen COB and a high transmittance rate lens to keep high light efficiency. ADC12 Aluminum profile provides excellent thermal dissipation. Modular design with reflector type and lens type options. Rectangle shape with two heads. The luminaire is tilted 25° in all directions (360°), perfectly meeting the demands of different lighting angles. Beam angles available are 36° or 60°.



IP54



SPECIFICATIONS

Material Specifications

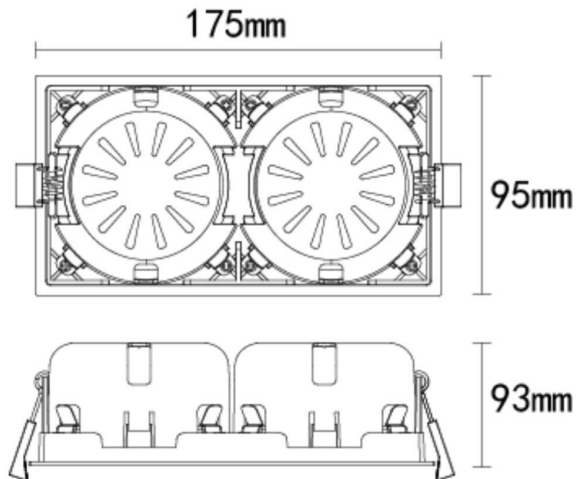
Material	Premium Grade Aluminum
Colour	Powdercoated Matt White / Black
Warranty	5 Year Replacement
Dimensions	175 x 95 x 53mm
Cutout	169mm x 89mm
Ingress Protection	IP54
Impact Rating	IK06

Electrical Specifications

Power Supply	Remote Driver, 500mA, Flicker Free
Operating Temperature (Ta)	-20°C to +45°C
Input Voltage	240V

Optic Specifications

Light Source	2 x Citizen COB LED
Delivered Lumens	2000lm
CRI	>80
Reported L70 (Hours)	> 54,000 Hrs



VARIATIONS

LC3425W	WALTZ Double 2x10W Rectangle Gimbal Downlight, White, 60°, Phase Dim, 3000K
LC3425B	WALTZ Double 2x10W Rectangle Gimbal Downlight, Black, 60°, Phase Dim, 3000K
LC3426W	WALTZ Double 2x10W Rectangle Gimbal Downlight, White, 60°, Phase Dim, 4000K
LC3426B	WALTZ Double 2x10W Rectangle Gimbal Downlight, Black, 60°, Phase Dim, 4000K