

DUELL 10W

Frosted SMD Downlight

dynamic series

Efficient. Cutting Edge. Reliable

The DUELL 10W SMD LED Downlight features high-lumen SMD LED technology and a PC diffuser for uniform light distribution. It is a cost-effective and practical downlight, offering a plastic housing with an integrated driver design.

Verified by Techlume Australia on 26/04/2023



SPECIFICATIONS

Material Specifications

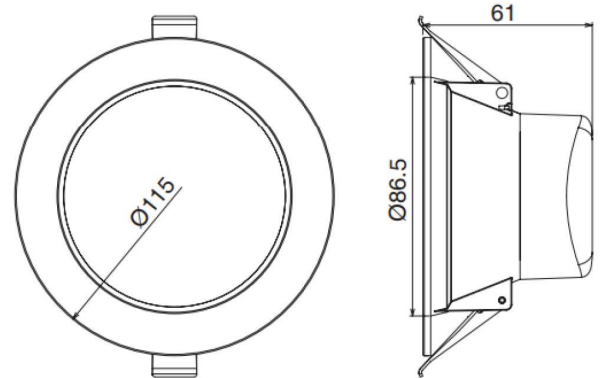
Material	High Grade Aluminum + Reflector
Colour	Matt White
Dimensions	115mm Face Dia x 61mm (H)
Cutout	90mm (Dia)
Ingress Protection	IP54
Warranty	5 Year Replacement

Electrical Specifications

Power Supply	Integrated, 230mA, Phase Dim
Operating Temperature (Ta)	-20°C to +45°C
Input Voltage	240V, 50/60Hz
Connection Method	Australian 2-Pin Plug & 0.6m Lead

Optic Specifications

Light Source	AC 10W SMD LED
Delivered Lumens	961lm (3000K)
Delivered Lumens	1,055lm (4000K)
CRI	Ra 82
Beam Angle	90°
Reported L70 (Hours)	> 40,000 Hrs



VARIATIONS

LC3579 DUELL 10W Downlight, White, 90°, Phase Dim, 3000K/ 4000K