

# EMPRESS 10W

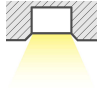
## Recessed Fixed Downlight

dynamic series

Efficient. Cutting Edge. Reliable

The EMPRESS Fixed Recessed Downlight is used in commercial projects, as a comfortable and efficient lighting solution. A compact architectural downlight suitable for a variety of applications. It adopts a high lumen COB LED, and PMMA diffuser with even light output. The dali dimmable version has shown great popularity with excellent dimming effect.

Verified by Techlume Australia on 30/03/2023



IP65



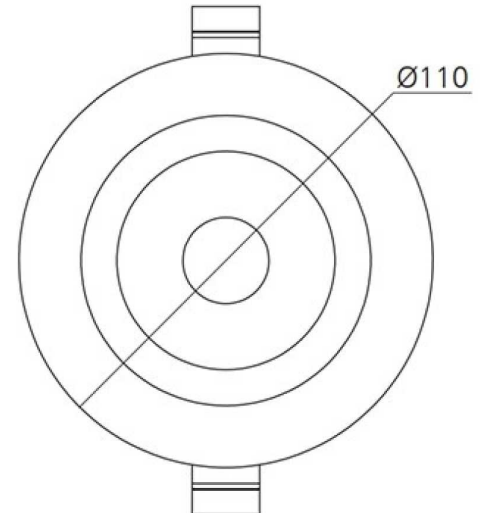
### SPECIFICATIONS

#### Material Specifications

<b>Material</b>	High Grade Aluminum + Reflector
<b>Dimensions</b>	110mm Face Dia x 65mm (H)
<b>Cutout</b>	90mm (Dia)
<b>Colour</b>	Matt White (Black & Silver available for project orders)
<b>Ingress Protection</b>	IP65
<b>Impact Rating</b>	IK06
<b>Warranty</b>	5 Year Replacement

#### Electrical Specifications

<b>Power Supply</b>	Dimmable 23-40VDC 230mA
<b>System Watts</b>	10.1W
<b>Input Voltage</b>	240V, 50/60Hz
<b>Operating Temperature (Ta)</b>	-20°C to +45°C
<b>Thermal Testing</b>	Compliant with IC Classification
<b>Connection Method</b>	Australian Plug & 1.2m Lead
<b>Protection</b>	Voltage Overload, Temp Overload, Short Circuit



#### Optic Specifications

<b>Light Source</b>	CREE 10W COB LED
<b>Delivered Lumens</b>	1,004lm (3000K)
<b>Delivered Lumens</b>	1,066lm (4000K)
<b>Efficacy</b>	Up to 105.8 lm/W
<b>CRI</b>	> Ra 82
<b>Beam Angle</b>	60° (36° Available for Project Order)
<b>Calculated L70 (Hours)</b>	L70B50 = >60,000 Hrs
<b>Calculated L80 (Hours)</b>	L80B50 = > 60,000 Hrs
<b>Calculated L90 (Hours)</b>	L90B50 = > 56,000 Hrs

### VARIATIONS

<b>LC3595</b>	EMPRESS 10W Fixed Downlight, White, 60°, Phase Dim, 3000K, 1,004lm
<b>LC3595B</b>	EMPRESS 10W Fixed Downlight, Black, 60°, Phase Dim, 3000K, 1,004lm
<b>LC3596</b>	EMPRESS 10W Fixed Downlight, White, 60°, Phase Dim, 4000K, 1,066lm
<b>LC3596B</b>	EMPRESS 10W Fixed Downlight, Black, 60°, Phase Dim, 4000K, 1,066lm