

dynamic series

Efficient. Cutting Edge. Reliable

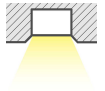
EMPRESS 10W

Recessed Gimbal Downlight

The EMPRESS 10W gimbal downlight is the latest LED technology, constructed with a thermal heatsink to ensure the downlight disperses heat away from the LED Chip. Used in Commercial and Residential construction projects.

EMPRESS 10W LED gimbal Downlight adopts a high lumen COB LED, and PMMA diffuser with even light output. DALI dimmable version has shown great popularity with excellent dimming effect.

Verified by Techlume Australia on 30/03/2023



IP65



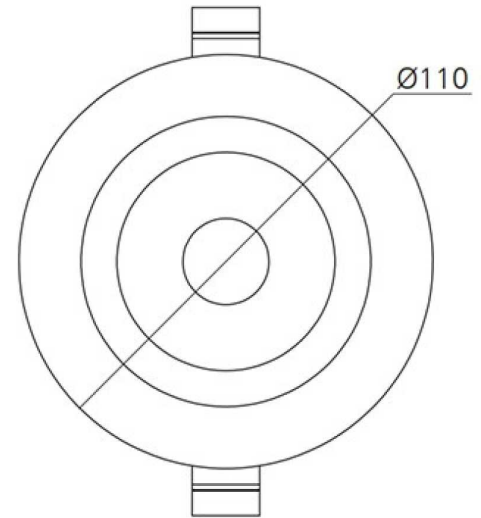
SPECIFICATIONS

Material Specifications

Material	High Grade Aluminum + Reflector
Adjustment	30° gimbal
Dimensions	110mm Face Dia x 50mm (H)
Cutout	90mm (Dia)
Colour	Matt White (Black & Silver available for project orders)
Ingress Protection	IP65
Impact Rating	IK06
Warranty	5 Year Replacement

Electrical Specifications

Power Supply	Dimmable 23-40VDC 230mA
System Watts	10.1W
Input Voltage	240V, 50/60Hz
Operating Temperature (Ta)	-20°C to +45°C
Thermal Testing	Compliant with IC Classification
Protection	Voltage Overload, Temp Overload, Short Circuit
Connection Method	Australian Plug & 1.2m Lead



Optic Specifications

Light Source	CREE 10W COB LED
Delivered Lumens	1,004lm (3000K)
Material Specifications	1,066lm (4000K)
Efficacy	Up to 105.8 lm/W
CRI	Ra 83
Beam Angle	60° (36° Available for Project Order)
Calculated L70 (Hours)	L70B50 => 60,000 Hrs
Calculated L80 (Hours)	L80B50 => 60,000 Hrs
Calculated L90 (Hours)	L90B50 => 56,000 Hrs

VARIATIONS

LC3597	EMPRESS 10W Gimbal Downlight, White, 60°, Phase Dim, 3000K, 1,004lm
LC3597-36	EMPRESS 10W Gimbal Downlight, White, 36°, Phase Dim, 3000K, 1,004lm

- LC3597B** EMPRESS 10W Gimbal Downlight, Black, 60°, Phase Dim, 3000K, 1,004lm
- LC3598** EMPRESS 10W Gimbal Downlight, White, 60°, Phase Dim, 4000K, 1,066lm
- LC3598B** EMPRESS 10W Gimbal Downlight, Black, 60°, Phase Dim, 4000K, 1,066lm

dynamic series

Efficient. Cutting Edge. Reliable