

dynamic series

Efficient. Cutting Edge. Reliable

EMPRESS 10W Gimbal

Recessed Downlight Tri-Colour

The EMPRESS 10W gimbal downlight is the latest LED technology, constructed with a thermal heatsink to ensure the downlight disperses heat away from the LED Chip. Used in Commercial and Residential construction projects.

EMPRESS 10W LED gimbal Downlight adopts a high lumen COB LED, and PMMA diffuser with even light output. DALI dimmable version has shown great popularity with excellent dimming effect.

Verified by Techlume Australia on 30/03/2023



SPECIFICATIONS

Material Specifications

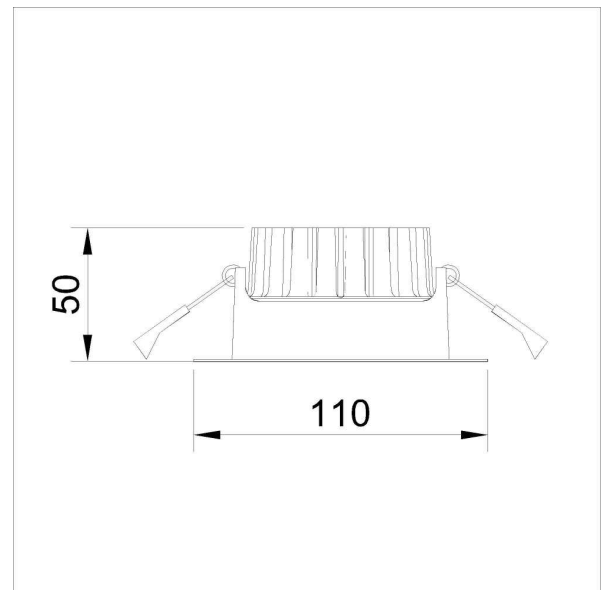
Material	High Grade Aluminum + Reflector
Adjustment	30° gimbal
Dimensions	110mm Face Dia x 50mm (H)
Cutout	90mm (Dia)
Ingress Protection	IP65
Impact Rating	IK06
Warranty	5 Year Replacement

Electrical Specifications

Power Supply	Dimmable
System Watts	9.3W - 9.7W
Thermal Testing	Compliant with IC Classification
Input Voltage	240V, 50/60Hz
Operating Temperature (Ta)	-20°C to +45°C
Connection Method	Australian Plug & 1.2m Lead

Optic Specifications

Light Source	CREE 10W COB LED
Delivered Lumens	898lm (3000K)
Delivered Lumens	978lm (4000K)
Delivered Lumens	960lm (5000K)
Efficacy	Up to 105.4 lm/W
CRI	Ra 93
Calculated L70 (Hours)	L70B50 => >60,000 Hrs
Calculated L80 (Hours)	L80B50 => > 60,000 Hrs
Calculated L90 (Hours)	L90B50 => > 56,000 Hrs



VARIATIONS

LC3599	EMPRESS 10W Gimbal Downlight, Tri-Colour, White, 60°, Phase Dim, Tri-colour, 898 - 978lm
LC3599B	EMPRESS 10W Gimbal Downlight, Tri-Colour, Black, 60°, Phase Dim, Tri-colour, 898 - 978lm
LC3599BD	EMPRESS 10W Gimbal Downlight, Tri-Colour, Black, 60°, DALI, Tri-colour, 898 - 978lm