

EMPRESS 13W

Recessed Fixed Downlight

dynamic series

Efficient. Cutting Edge. Reliable

The EMPRESS 13W fixed downlight is an architectural downlight, constructed with a thermal heatsink included to ensure the downlight disperses any heat keeping it cool to touch. Used by builders, developers and a favourite with electricians. It adopts a high lumen COB LED, and PMMA diffuser with even light output. The DALI dimmable version has shown great popularity with excellent dimming effect.

Verified by Techlume Australia on 16/03/2023



IP65



SPECIFICATIONS

Material Specifications

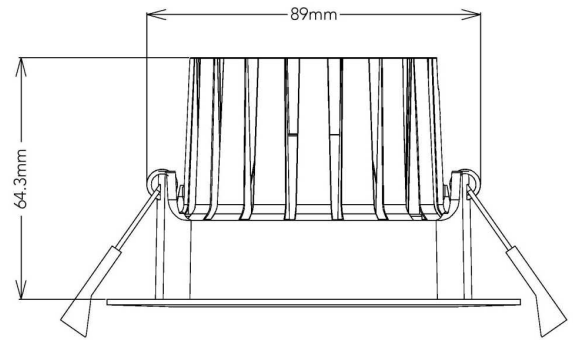
Material	High Grade Aluminum + Reflector
Dimensions	110mm Face Dia x 65mm (H)
Cutout	90mm (Dia)
Colour	Matt White (Black & Silver available for project orders)
Ingress Protection	IP65
Impact Rating	IK06
Warranty	5 Year Replacement

Electrical Specifications

Power Supply	Dimmable, 23-40VDC 280mA
System Watts	11.4W - 12.1W
Input Voltage	240V, 50/60Hz
Operating Temperature (Ta)	-20°C to +45°C
Thermal Testing	Compliant with IC Classification
Protection	Voltage Overload, Temp Overload, Short Circuit
Connection Method	Australian Plug & 1.2m Lead

Optic Specifications

Light Source	CREE XLamp® CXA-1512
Delivered Lumens	1,256lm - 1,394lm
Efficacy	Up to 115.4 lm/W
CRI	Ra 83
Beam Angle	60° (36° Available for Project Order)
Calculated L70 (Hours)	L70B50 = >60,000 Hrs
Calculated L80 (Hours)	L80B50 = > 60,000 Hrs
Calculated L90 (Hours)	L90B50 = > 56,000 Hrs



VARIATIONS

LC3590	EMPRESS 13W Fixed Downlight, White, 60°, Phase Dim, 3000K, 1,256lm
LC3590B	EMPRESS 13W Fixed Downlight, Black, 60°, Phase Dim, 3000K, 1,237lm
LC3590S	EMPRESS 13W Fixed Downlight, Silver, 60°, Phase Dim, 3000K, 1,256lm
LC3591	EMPRESS 13W Fixed Downlight, White, 60°, Phase Dim, 4000K, 1,394lm
LC3591B	EMPRESS 13W Fixed Downlight, Black, 60°, Phase Dim, 4000K, 1,313lm
LC3591S	EMPRESS 13W Fixed Downlight, Silver, 60°, Phase Dim, 4000K, 1,394lm

LC3590-36 EMPRESS 13W Fixed Downlight, White, 36°, Phase Dim, 3000K, 1,256lm

LC3590RD EMPRESS 13W Fixed Downlight, CRI90, White, 60°, DALI, 3000K, 1,256lm

dynamic series

Efficient. Cutting Edge. Reliable