

dynamic series

Efficient. Cutting Edge. Reliable

# EMPRESS 13W

## Recessed Gimbal Downlight

The EMPRESS 13W gimbal downlight is available in DALI dimmable, constructed with a thermal heatsink included to ensure the downlight disperses any heat keeping it cool to touch. Used by builders, developers and a favourite with electricians.

EMPRESS 13W LED gimbal Downlight adopts a high lumen COB LED, and PMMA diffuser with even light output. DALI dimmable version has shown great popularity with excellent dimming effect.

Verified by Techlume Australia on 23/03/2023



### SPECIFICATIONS

#### Material Specifications

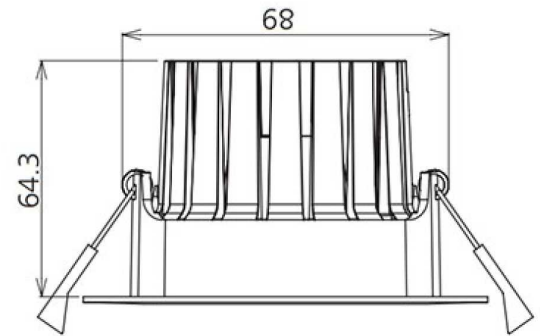
<b>Material</b>	High Grade Aluminum + Reflector
<b>Adjustment</b>	30° gimbal
<b>Dimensions</b>	110mm Face Dia x 50mm (H)
<b>Cutout</b>	90mm (Dia)
<b>Colour</b>	Matt White (Black & Silver available for project orders)
<b>Ingress Protection</b>	IP65
<b>Impact Rating</b>	IK06
<b>Warranty</b>	5 Year Replacement

#### Electrical Specifications

<b>Power Supply</b>	Dimmable, 23-40VDC 280mA
<b>System Watts</b>	11.4W - 12.1W
<b>Input Voltage</b>	240V, 50/60Hz
<b>Operating Temperature (Ta)</b>	-20°C to +45°C
<b>Thermal Testing</b>	Compliant with IC Classification
<b>Protection</b>	Voltage Overload, Temp Overload, Short Circuit
<b>Connection Method</b>	Australian Plug & 1.2m Lead

#### Optic Specifications

<b>Light Source</b>	CREE XLamp® CXA-1512
<b>Delivered Lumens</b>	1,256lm (3000K)
<b>Delivered Lumens</b>	1,394lm (4000K)
<b>Efficacy</b>	Up to 115.4 lm/W
<b>CRI</b>	Ra 83
<b>Beam Angle</b>	60° (36° Available for Project Order)
<b>Calculated L70 (Hours)</b>	L70B50 => 60,000 Hrs
<b>Calculated L80 (Hours)</b>	L80B50 => 60,000 Hrs
<b>Calculated L90 (Hours)</b>	L90B50 => 56,000 Hrs



### VARIATIONS

<b>LC3592</b>	EMPRESS 13W Gimbal Downlight, White, 60°, Phase Dim, 3000K, 1,256lm
---------------	---

- LC3592B** EMPRESS 13W Gimbal Downlight, Black, 60°, Phase Dim, 3000K, 1,256lm
- LC3592D** EMPRESS 13W Gimbal Downlight, White, 60°, Dali, 3000K, 1,256lm
- LC3593** EMPRESS 13W Gimbal Downlight, White, 60°, Phase Dim, 4000K, 1,394lm
- LC3593B** EMPRESS 13W Gimbal Downlight, Black, 60°, Phase Dim, 4000K, 1,394lm

**dynamic series**

Efficient. Cutting Edge. Reliable