

EMPRESS 15W

Recessed Fixed Downlight

dynamic series

Efficient. Cutting Edge. Reliable

The EMPRESS 15W Fixed downlight is an Architectural White Downlight, constructed with a thermal heatsink included to ensure the downlight disperses any heat keeping it cool to touch. Used by builders, developers and a favourite with electricians.

EMPRESS 15W Fixed LED Down light adopts a high lumen COB LED, and PMMA diffuser with even light output. DALI dimmable version has shown great popularity with excellent dimming effect.

Verified by Techlume Australia on 27/03/2023



SPECIFICATIONS

Material Specifications

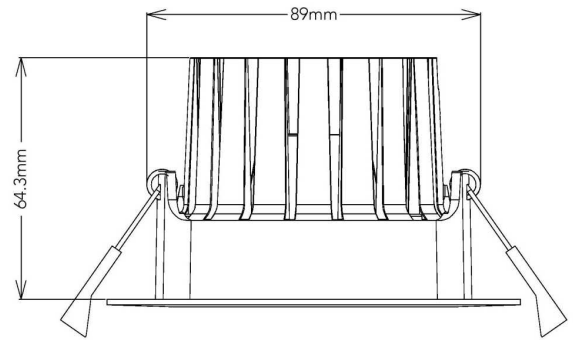
Material	High Grade Aluminum + Reflector
Dimensions	110mm Face Dia x 65mm (H)
Cutout	90mm (Dia)
Colour	Matt White (Black & Silver available for project orders)
Ingress Protection	IP65
Impact Rating	IK06
Warranty	5 Year Replacement

Electrical Specifications

Power Supply	Dimmable, 23-40VDC 350mA
System Watts	15.0W
Input Voltage	240V, 50/60Hz
Operating Temperature (Ta)	-20°C to +45°C
Thermal Testing	Compliant with IC Classification
Protection	Voltage Overload, Temp Overload, Short Circuit
Connection Method	Australian Plug & 1.2m Lead

Optic Specifications

Light Source	CREE 15W COB LED
Delivered Lumens	1,557lm (3000K)
Delivered Lumens	1,556lm (4000K)
Efficacy	Up to 104.1 lm/W
CRI	> Ra 82
Beam Angle	60° (36° Available for Project Order)
Reported L70 (Hours)	L70B50 = >60,000 Hrs
Calculated L80 (Hours)	L80B50 = > 60,000 Hrs
Calculated L90 (Hours)	L90B50 = > 56,000 Hrs



VARIATIONS

LC3574	EMPRESS 15W Fixed Downlight, White, 60°, Phase Dim, 3000K, 1,557lm
LC3574B	EMPRESS 15W Fixed Downlight, Black, 60°, Phase Dim, 3000K, 1,557lm
LC3575	EMPRESS 15W Fixed Downlight, White, 60°, Phase Dim, 4000K, 1,556lm

LC3575B EMPRESS 15W Fixed Downlight, Black, 60°, Phase Dim, 4000K, 1,556lm

dynamic series

Efficient. Cutting Edge. Reliable