

EMPRESS 8W

Recessed Fixed Downlight

dynamic series

Efficient. Cutting Edge. Reliable

The EMPRESS 8W Fixed downlight is available as phase dimmable, constructed with a thermal heatsink included to ensure the downlight disperses any heat keeping it cool to touch. Used by builders, developers and a favourite with electricians.

EMPRESS 8W Fixed LED Down light adopts a high lumen COB LED, and PMMA diffuser with even light output.

Verified by Techlume Australia on 30/03/2023



SPECIFICATIONS

Material Specifications

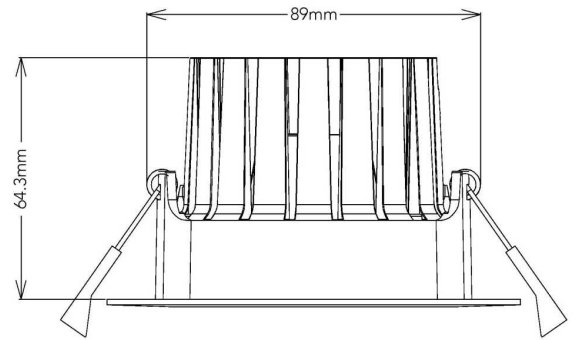
Material	High Grade Aluminum + Reflector
Dimensions	110mm Face Dia x 65mm (H)
Cutout	90mm (Dia)
Colour	Matt White (Black & Silver available for project orders)
Ingress Protection	IP65
Impact Rating	IK06
Warranty	5 Year Replacement

Electrical Specifications

Power Supply	Dimmable 23-40VDC 180mA
System Watts	7.4W - 8.2W
Input Voltage	240V, 50/60Hz
Operating Temperature (Ta)	-20°C to +45°C
Thermal Testing	Compliant with IC Classification
Protection	Voltage Overload, Temp Overload, Short Circuit
Connection Method	Australian Plug & 1.2m Lead

Optic Specifications

Light Source	CREE CXA1507 Series
Delivered Lumens	785lm - 891lm
Efficacy	Up to 110.3 lm/W
CRI	Ra 83
Beam Angle	60° (36° Available for Project Order)
Calculated L70 (Hours)	L70B50 = >60,000 Hrs
Calculated L80 (Hours)	L80B50 = > 60,000 Hrs
Calculated L90 (Hours)	L90B50 = > 56,000 Hrs



VARIATIONS

LC3580	EMPRESS 8W Fixed Downlight, White, 60°, Phase Dim, 3000K, 785lm
LC3580-36	EMPRESS 8W Fixed Downlight, White, 36°, Phase Dim, 3000K, 785lm
LC3580B	EMPRESS 8W Fixed Downlight, Black, 60°, Phase Dim, 3000K, 844lm
LC3580S	EMPRESS 8W Fixed Downlight, Silver, 60°, Phase Dim, 3000K, 785lm
LC3581	EMPRESS 8W Fixed Downlight, White, 60°, Phase Dim, 4000K, 891lm

LC3581B EMPRESS 8W Fixed Downlight, Black, 60°, Phase Dim, 4000K, 891lm

dynamic series

Efficient. Cutting Edge. Reliable