

# EMPRESS 15W

## Recessed Gimbal Downlight Tri-Colour

dynamic series

Efficient. Cutting Edge. Reliable

The EMPRESS 15W Tri-colour downlight is an architectural, adjustable downlight, constructed with a thermal heatsink included to ensure the downlight disperses any heat keeping it cool to touch. It offers ultimate flexibility with tricolour technology. Used by builders, developers and a favourite with electricians.

EMPRESS 15W LED Down light adopts a high lumen COB LED, and PMMA diffuser with even light output. DALI dimmable version has shown great popularity with excellent dimming effect.

Verified by Techlume Australia on 18/10/2023



### SPECIFICATIONS

#### Material Specifications

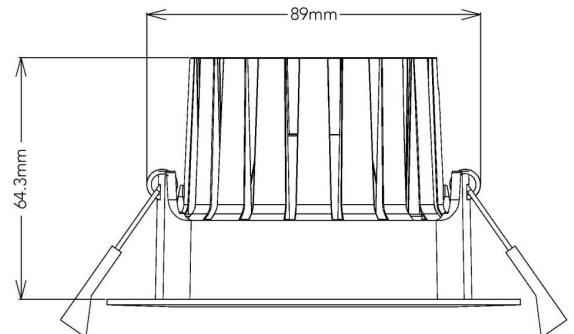
<b>Material</b>	High Grade Aluminum + Reflector
<b>Dimensions</b>	110mm Face Dia x 65mm (H)
<b>Cutout</b>	90mm (Dia)
<b>Finish</b>	Matt White (Black & Silver available for project orders)
<b>Ingress Protection</b>	IP65
<b>Impact Rating</b>	IK06
<b>Warranty</b>	5 Year Replacement

#### Electrical Specifications

<b>Power Supply</b>	Dimmable, 23-40VDC 350mA
<b>System Watts</b>	13.8W - 14.6W
<b>Input Voltage</b>	240V, 50/60Hz
<b>Operating Temperature (Ta)</b>	-20°C to +45°C
<b>Thermal Testing</b>	Compliant with IC Classification
<b>Protection</b>	Voltage Overload, Temp Overload, Short Circuit
<b>Connection Method</b>	Australian Plug & 1.2m Lead

#### Optic Specifications

<b>Light Source</b>	CREE 15W COB LED
<b>Delivered Lumens</b>	1,305lm (3000K)
<b>Delivered Lumens</b>	1,444lm (4000K)
<b>Delivered Lumens</b>	1,381lm (5000K)
<b>CRI</b>	Ra >91
<b>Beam Angle</b>	60° (36° Available for Project Order)
<b>Calculated L70 (Hours)</b>	L70B50 = >60,000 Hrs
<b>Calculated L80 (Hours)</b>	L80B50 = > 60,000 Hrs
<b>Calculated L90 (Hours)</b>	L90B50 = > 56,000 Hrs



### VARIATIONS

<b>LC3578-G</b>	EMPRESS 15W Gimbal Downlight, White, 60°, Phase Dim, Tri-Colour
<b>LC3578B-G</b>	EMPRESS 15W Gimbal Downlight, Black, 60°, Phase Dim, Tri-Colour
<b>LC3578S-G</b>	EMPRESS 15W Gimbal Downlight, Silver, 60°, Phase Dim, Tri-Colour

**dynamic series**

Efficient. Cutting Edge. Reliable