

ESQUIRE 20W

Emergency Twin Flood Light

This high-powered LED emergency flood light provides an ultra bright source of indirect emergency lighting using efficient LEDs and a high transmission acrylic lens in a robust body. It delivers brilliant illumination during an emergency and is designed to operate reliably in indoor or outdoor areas with high ceilings or where it is not possible to mount conventional emergency luminaires such as stadiums, large warehouses, loading docks, factories and assembly points.

According to AS2293, emergency floodlights with rotatable light sources are classified as indirect emergency lighting. Therefore, emergency classifications and spacing tables are unavailable for this type of luminaire.



SPECIFICATIONS

Material Specifications

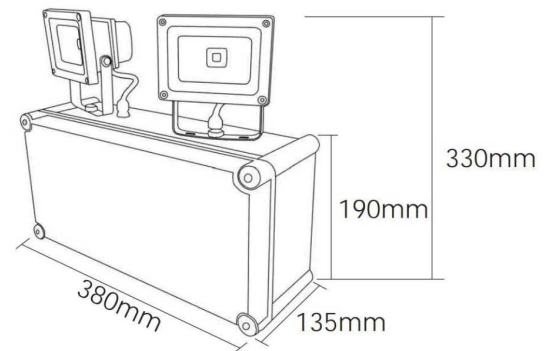
Material	Flame - Retardant Polycarbonate, Acrylic Lens
Application	Surface Mounted - Wall
Dimensions	330mm(L) x 380mm(W) x 135mm(D)
Weight	4.0Kg
Ingress Protection	IP65
Warranty	3 Year Warranty (Battery 2 Years)

Electrical Specifications

Mode of Operation	Non-Maintained
Battery & Charger System	Lithium Battery w.16hr Intelligent 3-stage charger and battery management
Operating Temperature (Ta)	1°C - 40°C
Protection	Overcharge, Low Voltage Disconnect, overcurrent,
Connection Method	Complete with Australian Plug + 1.2m Lead
Emergency Duration	> 120 Minutes
Testing Facility	Manual Test Switch
Indicators	Battery Charger Green LED

Optic Specifications

LED Wattage	2x10W (2W Standby)
Delivered Lumens	2 x 1000lm
Correlated Colour Temperature	5000K LED
AS2293 Classification	N/A due to rotatable lights
Rated Lifetime (L70B20)	50,000 Hrs



VARIATIONS

EMS-FLOOD	ESQUIRE 20W Emergency Twin Spot Light c/w Synthium Battery, White, 5000K
------------------	--