

ESSENCE 30W

Adjustable Tracklight

dynamic series

Efficient. Cutting Edge. Reliable

Track Lighting is popular in applications such as museums, art galleries, restaurants, and retail spaces because of its unique flexibility in positioning the direction of the light, and the ability to add or remove fittings to achieve the desired luminance levels. With a 60° beam angle and changeable colour temperature, the ESSENCE Track Light is perfect for a versatile environment and can set the mood in any room.



IP20



SPECIFICATIONS

Material Specifications

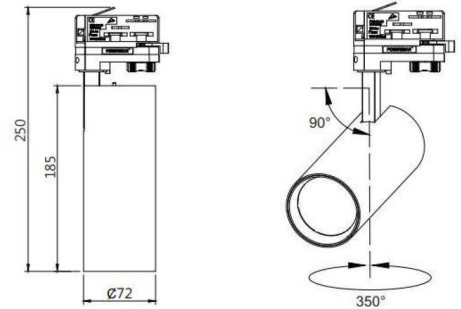
Housing	Die-Cast Aluminium
Finish	White or Black
Dimensions	Head: 72mmØ x 185mm(L)
Dimensions	Base: 250mm(L) x 74mm(W) x 55mm(H)
Adjustment	90° tilt, 350° rotation
Ingress Protection	IP20
Warranty	3 Year Replacement

Electrical Specifications

Power Supply	Integrated Driver, Phase-Dim
Input Voltage	240V
Connection Method	4-Wire, 3-Circuit Track Connector

Optic Specifications

Light Source	30W COB LED
Beam Angle	60°
CRI	> 90Ra
Correlated Colour Temperature	Tri-Colour (3000K, 4000K, 6000K)
Nominal Lumens	2,400lm



VARIATIONS

LC5108W	ESSENCE 30W Tracklight, White, 60°, Phase-Dim, Tri-Colour, 2,400lm
LC5108B	ESSENCE 30W Tracklight, Black, 60°, Phase-Dim, Tri-Colour, 2,400lm