

**dynamic series**

Efficient. Cutting Edge. Reliable

# COMET 12W

## Oval IP54 Bulkhead

The COMET 12W Oval Bulkhead is an oval shaped low profile luminaire. Constructed from poly-carbonate, it is a robust, corrosion free and extremely durable fitting, designed for exterior use on walls and eaves. It is also suited for marine environments.

12W Exterior Bulkhead, with a 5 Year warranty. A bright light that contributes to the security around buildings. Available in Cool White.



### SPECIFICATIONS

#### Material Specifications

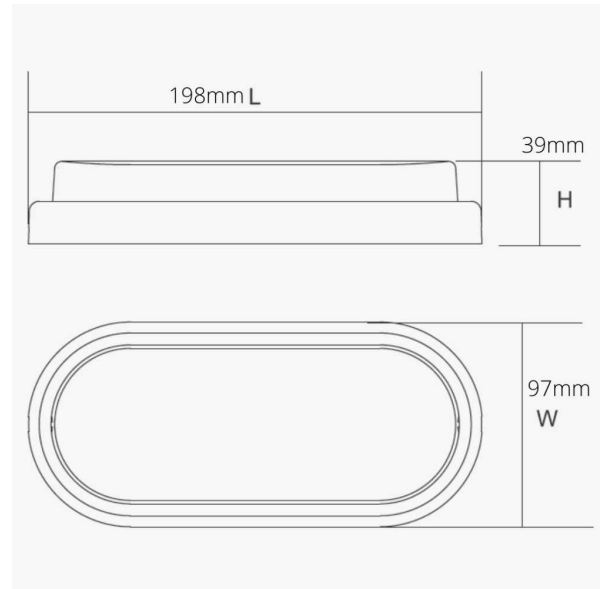
<b>Material</b>	PC Base & Cover
<b>Dimensions</b>	198mm x 97mm x 39mm
<b>Ingress Protection</b>	IP54
<b>Benefits</b>	White & Black Trims included
<b>Warranty</b>	5 Year Replacement

#### Electrical Specifications

<b>Power Supply</b>	Integral, Non-Dim
<b>Input Voltage</b>	240V
<b>Operating Temperature (Ta)</b>	-20°C to +40°C
<b>Connection Method</b>	Hard Wiring Required

#### Optic Specifications

<b>Light Source</b>	12W LED Epistar, SMD2835
<b>Nominal Lumens</b>	900lm
<b>Beam Angle</b>	120°
<b>CRI</b>	> 80Ra
<b>Reported L70 (Hours)</b>	> 40,000 Hrs



### VARIATIONS

<b>LC6531</b>	COMET 12W Oval Bulkhead, 120°, Non-Dim, 4000K
---------------	---