

Lifestyle Series

Style. Attitude. Luxury

FERNHURST 60W

Modern Post Top Light

The FERNHURST 60W Post Top Light is a Classic Design, providing an amazing architectural solution. FERNHURST 60W Post top light fittings for roadways and housing estates, offer an alternative look to the traditional top and side entry light fittings. The engineered anti-glare design gives a soft, subtle light.

It has a vertical post-top mounting. Suitable for applications including city parks, community precincts, urban landscapes and pedestrian security. Driver cannot be remote mounted. Designed for 3m-6m pole height. Pole available separately.



IP65



SPECIFICATIONS

Material Specifications

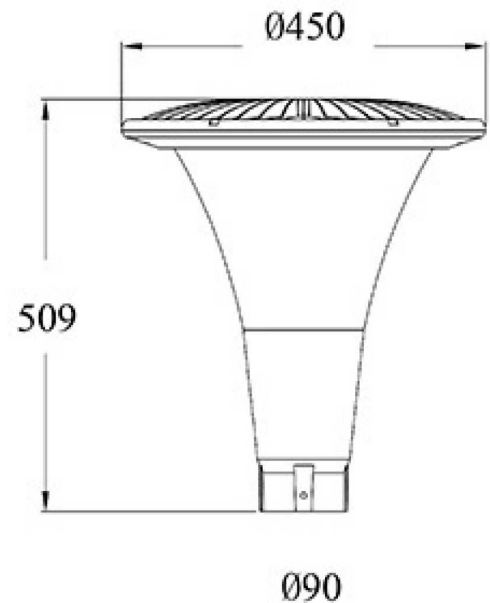
Material	Aluminium Die-Cast Housing, Aluminium Reflector
Dimensions	450mm (Dia) x 509mm (H)
Spigot Size	90mm (Dia)
Accessories	65mm Reducing Sleeve (included)
Ingress Protection	IP65
Impact Rating	IK08
Weight	6.4Kg
Warranty	5 Year Replacement

Electrical Specifications

Power Supply	Meanwell HLG Series
Input Voltage	240V
Connection Method	Hard-Wired

Optic Specifications

Light Source	60W Bridgelux LED
Nominal Lumens	4800lm
Beam Angle	Symmetrical
CRI	82Ra
Colour Deviation	SDCM ≤ 3
Reported L70 (Hours)	>54,000 Hrs



VARIATIONS

LC3189 FERNHURST 60W Post Top Light, Black, Non-Dim, 4000K