

diomede

let there be light

MIRON 16W

Exterior Floodlight

The MIRON 16W Floodlight is a surface mounted LED Floodlight capable of illuminating any exterior area while only consuming 40W of power. It is rated at IP65, providing full flexibility in outdoor applications. It is constructed from die-cast aluminium alloy and features a toughened tempered glass to protect the powerful SMD LED Chips. Image shown in Ibiza Sand. Premium Quality, Italian Made product.



SPECIFICATIONS

Material Specifications

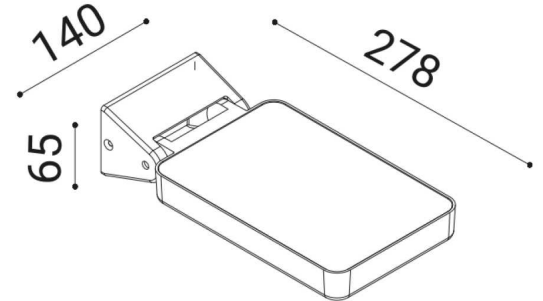
Material	Aluminium Housing, Foggy Tempered Glass
Dimensions	140mm(L) x 65mm(W) x 278mm(H)
Ingress Protection	IP65
Warranty	5 Year Replacement

Electrical Specifications

Power Supply	Integrated TCI DALI Dimmable
Connection Method	Australian 2-Pin Plug & 1.8m Lead
Operating Temperature (Ta)	-20°C to +90°C
Input Voltage	220-240V

Optic Specifications

Light Source	2199lm Bridgelux LED
Beam Angle	20°, 50° or Asymmetric
CRI	80Ra
Reported L70 (Hours)	> 54,000 Hrs



VARIATIONS

900511024	MIRON 16W Floodlight, Meteor Grey, Asymmetric, Non-Dim, 3000K, 2199lm
900511024 D	MIRON 16W Floodlight, Meteor Grey, Asymmetric, DALI Dim, 3000K, 2199lm
900511023	MIRON 16W Floodlight, Ibiza Sand, Asymmetric, Non-Dim, 3000K, 2199lm
900521034	MIRON 16W Floodlight, Meteor Grey, Streetlight Optic, Non-Dim, 4000K, 2199lm