

FALCON 60-100W

Industrial Highbay, Tri-colour

Classic Series

Proven. Quality. Customisable

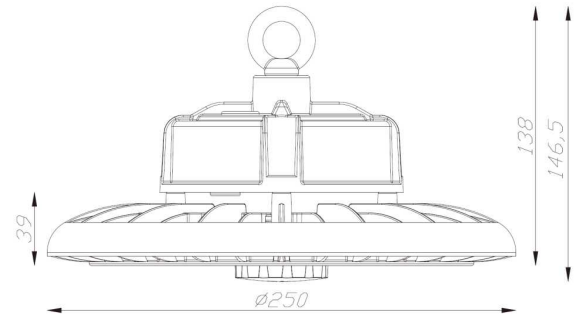
The FALCON 60-240W Highbay is an industrial design with a slim housing. With the benefits of selectable wattage and colour temperature, it is one of the most versatile LED highbays on the market. Choose between 60W, 80W & 100W power settings, as well as 3000K, 4000K & 5000K CCT. Corrosion-resistant, with an IP66 rating suitable for outdoor and wet applications. Impact Rating of IK08 with standard glass cover.



SPECIFICATIONS

Material Specifications

Material	Die-Cast Aluminium, with Clear Tempered Glass
Finish	Anti-Corrosion AkzoNobel Powdercoat, Black
Dimensions	405mm Dia x 168mm(H)
Mounting	c/w Stainless Steel Eye Bolt for suspending
Impact Rating	IK08
Ingress Protection	IP66
Weight	4kg
Warranty	5 Year Replacement



Electrical Specifications

Power Supply	Integrated SOSEN Driver, Non-Dimmable
System Watts	Switchable between 60W, 80W & 100W
Dimming	Dali, 0-10V Available
Options	Microwave Sensor, Daylight Harvesting
Operating Temperature (Ta)	-30°C to + 50°C
Connection Method	2m double-insulated 3-core flex with AU plug

Optic Specifications

Light Source	Samsung SMD2835 LED
Correlated Colour Temperature	Tri-colour (3000K/4000K/5000K)
CRI	Ra 70
Delivered Lumens	60W: 11,509lm
Delivered Lumens	80W: 15,163lm
Delivered Lumens	100W: 18,932lm
Efficacy	Up to 192lm/W
Reported L70 (Hours)	> 60,000 Hrs

VARIATIONS

LC2576	FALCON 60-100W Highbay, Black, 110°, Non-Dim, Tri-colour
LC2576D	FALCON 60-100W Highbay, Black, 110°, DALI, Tri-colour