

**Classic Series**

Proven. Quality. Customisable

# HAWKE 1000W

## Asymmetric Sports Light

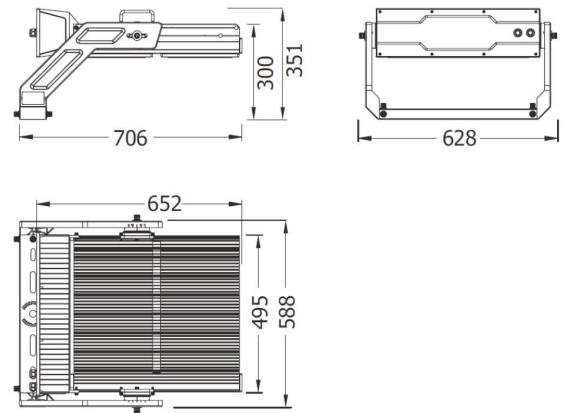
The HAWKE 1000W Floodlights are designed for flexibility in high output situations. Designed with different beam angles for use in sports grounds and arenas. The robust construction with a high lumen output enables optimum light spread for high light requirements. The updated design is more compact, for less wind force, and an improved bracket design.



### SPECIFICATIONS

#### Material Specifications

<b>Material</b>	Die-Cast Aluminium Housing
<b>Finish</b>	AkzoNobel Powder Coat
<b>Colour</b>	Dusty Grey (RAL7037)
<b>Dimensions</b>	588mm (W) x 652mm (H) x 351mm (D)
<b>Windage</b>	0.08m <sup>2</sup> at 0° tilt
<b>Ingress Protection</b>	IP66
<b>Impact Rating</b>	IK10
<b>Weight</b>	24.4kg (including drivers)
<b>Weight</b>	18.2kg (without drivers)
<b>Warranty</b>	5 Year Replacement



#### Electrical Specifications

<b>Power Supply</b>	1pcs Inventronics Driver NES-1K8T210BC
<b>Input Voltage</b>	240V (4.2 amps)
<b>Max Distance From Power Supply</b>	200m
<b>Connection Method</b>	Drivers can be remoted mounted

#### Optic Specifications

<b>Light Source</b>	Seoul SMD 3535 LED
<b>CRI</b>	> 70 Ra
<b>Calculated L70 (Hours)</b>	341,000 Hrs (L90B50)
<b>Calculated L80 (Hours)</b>	215,000 Hrs (L90B50)
<b>Calculated L90 (Hours)</b>	104,000 Hrs (L90B50)
<b>Delivered Lumens</b>	135,200-140,200lm

### VARIATIONS

<b>LC7883-40 x15</b>	HAWKE 1000W Floodlight, Grey, 40x15°, Non-Dim, 3000K
<b>LC7884-40 x15</b>	HAWKE 1000W Floodlight, Grey, 40x15°, Non-Dim, 4000K
<b>LC7883-10 0x17</b>	HAWKE 1000W Floodlight, Grey, 100x17°, Non-Dim, 3000K
<b>LC7884-10 0x17</b>	HAWKE 1000W Floodlight, Grey, 100x17°, Non-Dim, 4000K