

**Classic Series**

Proven. Quality. Customisable

# HAWKE 1500W

## Asymmetric Sports Light

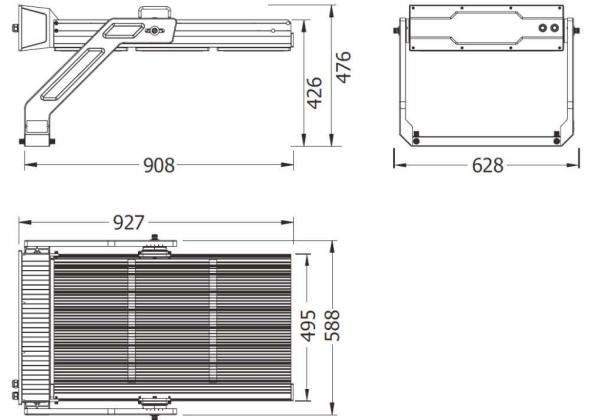
The HAWKE Floodlights are designed for flexibility in high output situations. The HAWKE 1500W Asymmetric Sports Light is suitable for mounting heights of up to 30 metres. Designed with different beam angles for use in sports grounds and arenas. The robust construction with a high lumen output enables optimum light spread for high light requirements. The updated design is more compact, for less wind force, and an improved bracket design.



### SPECIFICATIONS

#### Material Specifications

<b>Material</b>	Die-Cast Aluminium Housing
<b>Finish</b>	AkzoNobel Powder Coat
<b>Colour</b>	Dusty Grey (RAL7037)
<b>Dimensions</b>	568mm (W) x 953mm (H) x 271mm (D)
<b>Windage</b>	0.08m <sup>2</sup> at 0° tilt
<b>Ingress Protection</b>	IP66
<b>Impact Rating</b>	IK10
<b>Weight</b>	35.8kg (including drivers)
<b>Weight</b>	28.8kg (without drivers)
<b>Warranty</b>	5 Year Replacement



#### Electrical Specifications

<b>Power Supply</b>	1pcs Inventronics Driver NES-1K8T210BC
<b>Input Voltage</b>	240V (5 amps)
<b>Max Distance From Power Supply</b>	200m
<b>Connection Method</b>	Drivers can be remotely mounted

#### Optic Specifications

<b>Light Source</b>	Seoul 3535 LED
<b>Delivered Lumens</b>	212,200 - 231,000lm
<b>Calculated L70 (Hours)</b>	155,000 Hrs
<b>Calculated L80 (Hours)</b>	97,000 Hrs
<b>Calculated L90 (Hours)</b>	46,000 Hrs

### VARIATIONS

<b>LC7801-40 x15</b>	HAWKE 1500W Floodlight, Grey, 40x15°, Non-Dim, 4000K
<b>LC7801-100 x17</b>	HAWKE 1500W Floodlight, Grey, 100x17°, Non-Dim, 4000K
<b>LC7801V-100 x60</b>	HAWKE 1500W Floodlight, Grey, 100x60°, Non-Dim, 4000K
<b>LC7801-130 x25</b>	HAWKE 1500W Floodlight, Grey, 130x25°, Non-Dim, 4000K
<b>LC7801-CA-GS</b>	HAWKE 1500W Floodlight, 240V, w. Glare Shield, Grey, Combination, Non-Dim, 4000K, 191,834lm
<b>LC7801V-CA-GS</b>	HAWKE 1500W Floodlight, 415V, w. Glare Shield, Grey, Combination, Non-Dim, 4000K, 191,834lm

## Classic Series

Proven. Quality. Customisable