

HAWKE 500W

Sports Floodlight

Classic Series

Proven. Quality. Customisable

The HAWKE 500W Floodlight is designed with different beam angles for use in sports grounds and arenas. The robust construction with a high lumen output enables optimum light spread for high light requirements. The updated design is more compact, with less wind force, and an improved bracket design.



SPECIFICATIONS

Material Specifications

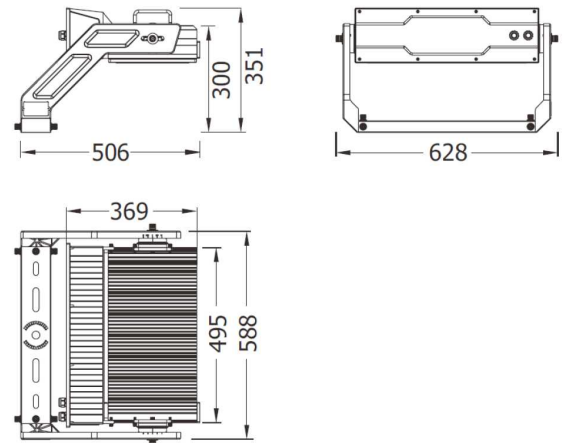
Material	Die-Cast Aluminium Housing
Finish	AkzoNobel Powder Coat
Ingress Protection	IP66
Impact Rating	IK10
Dimensions	310mm (W) x 500mm (H) x 275mm (D)
Dimensions	Bracket: 390mm(W)
Windage	0.096m ² at 20° tilt
Weight	17.4Kg (including drivers)
Weight	11.0Kg (without drivers)
Warranty	5 Year Replacement

Electrical Specifications

Power Supply	Inventronics
Input Voltage	220 - 415V
Connection Method	Driver can be remote mounted
Max Distance From Power Supply	50m
Protection	Thermal Control Unit, and Inrush Current Limiter, 20KV Surge Protection.

Optic Specifications

Light Source	Seoul LED
CRI	> 70Ra
Calculated L70 (Hours)	341,000 Hrs (L70B50)
Calculated L80 (Hours)	215,000 Hrs (L80B50)
Calculated L90 (Hours)	104,000 Hrs (L90B50)



VARIATIONS

LC7825-40x15	HAWKE 500W Floodlight, Black, 40x15°, Non-Dim, 5700K, 73,000lm
LC7825-60x15	HAWKE 500W Floodlight, Black, 60x15°, Non-Dim, 5700K, 73,000lm
LC7823-100x17	HAWKE 500W Floodlight, Black, 100x17°, Non-Dim, 3000K, 73,000lm
LC7824-100x17	HAWKE 500W Floodlight, Black, 100x17°, Non-Dim, 4000K, 73,000lm
LC7824-100x60	HAWKE 500W Floodlight, Black, 100x60°, Non-Dim, 4000K, 73,000lm
LC7824D-100x17	HAWKE 500W Floodlight, Black, 100x17°, DALI-2, 4000K, 73,000lm

**LC7824D-1
00x60**

HAWKE 500W Floodlight, Black, 100x60°, DALI-2, 4000K, 73,000lm

Classic Series

Proven. Quality. Customisable