

**Classic Series**

Proven. Quality. Customisable

# HAWKE 900W DALI

## Asymmetric Sports Floodlight

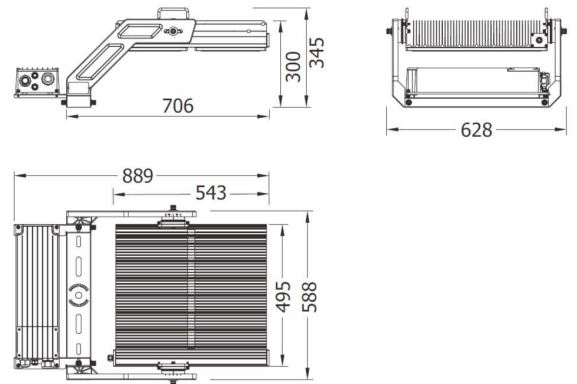
The HAWKE 900W Floodlights are designed for flexibility in high output situations. The HAWKE 900W Asymmetric Sports Light is suitable for mounting heights of up to 30 metres. Designed with different beam angles for use in sports grounds and arenas. The robust construction with a high lumen output enables optimum light spread for high light requirements. The updated design is more compact, for less wind force, and an improved bracket design.



### SPECIFICATIONS

#### Material Specifications

<b>Material</b>	Die-Cast Aluminium Housing
<b>Finish</b>	AkzoNobel Powder Coat
<b>Colour</b>	Dusty Grey (RAL7037)
<b>Dimensions</b>	628mm (W) x 889mm (L) x 345mm (H)
<b>Windage</b>	0.08m <sup>2</sup> at 0° tilt
<b>Ingress Protection</b>	IP66
<b>Impact Rating</b>	IK10
<b>Weight</b>	25.6kg (including drivers)
<b>Weight</b>	18.2kg (without drivers)
<b>Warranty</b>	5 Year Replacement



#### Electrical Specifications

<b>Power Supply</b>	1pcs Inventronics Driver NES-1K8T210BC
<b>Input Voltage</b>	200 - 480V AC
<b>System Watts</b>	858 - 920W
<b>Max Distance From Power Supply</b>	200m
<b>Connection Method</b>	Drivers can be remotely mounted or on board

#### Optic Specifications

<b>Light Source</b>	Lumileds 3535 LED
<b>Delivered Lumens</b>	121,200-131,400lm
<b>CRI</b>	> 70Ra
<b>Efficacy</b>	Up to 146lm/W
<b>Correlated Colour Temperature</b>	4000K
<b>Calculated L70 (Hours)</b>	341,000 Hrs (L70B50)
<b>Calculated L80 (Hours)</b>	215,000 Hrs (L80B50)
<b>Calculated L90 (Hours)</b>	104,000 Hrs (L90B50)

### VARIATIONS

<b>LC7874D-4 0x15</b>	HAWKE 900W Floodlight, Grey, 40°x15°, 240-415V, DALI, 4000K
<b>LC7874D-4 0x15-G</b>	HAWKE 900W Floodlight, Grey, 40°x15°, 240-415V, DALI, 4000K
<b>LC7874D-6 0x15</b>	HAWKE 900W Floodlight, Grey, 60°x15°, 240-415V, DALI, 4000K
<b>LC7874D-6 0x15-G</b>	HAWKE 900W Floodlight, Grey, 60°x15°, with Glare Shields, 240-415V, DALI, 4000K

<b>LC7874D-1 00x17</b>	HAWKE 900W Floodlight, Grey, 100x17°, 240-415V, DALI, 4000K
<b>LC7874D-1 00x17-G</b>	HAWKE 900W Floodlight, Grey, 100°x17°, with Glare Shields, 240-415V, DALI, 4000K
<b>LC7874D-1 30x25</b>	HAWKE 900W Floodlight, Grey, 130°x25°, 240-415V, DALI, 4000K
<b>LC7874D-1 30x25-G</b>	HAWKE 900W Floodlight, Grey, 130°x25°, with Glare Shields, 240-415V, DALI, 4000K
<b>LC7874D-1 00x60</b>	HAWKE 900W Floodlight, Grey, 100°x60°, 240-415V, DALI, 4000K
<b>LC7874D-1 00x60-G</b>	HAWKE 900W Floodlight, Grey, 100°x60°, with Glare Shields, 240-415V, DALI, 4000K

## Classic Series

Proven. Quality. Customisable