

APOLLO 100W

Industrial Highbay

dynamic series

Efficient. Cutting Edge. Reliable

The APOLLO Highbay features new and upgraded technology with an improved heat sink, quality LED driver and optimised reflector for better light coverage. It is designed to give lasting, maintenance-free life through excellent temperature management with large metal fins to draw heat away from the LED chips. With an IP65 rating, it is corrosion resistant and suitable for outdoor and wet applications. It has an impact rating of IK08 with a standard glass cover. IK10 is available, with an optional polycarbonate cover accessory.



SPECIFICATIONS

Material Specifications

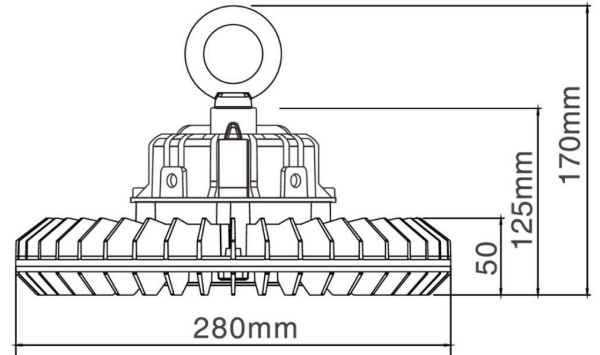
Housing	ADC12 Die-Cast Aluminium
Finish	Anti-Corrosion AkzoNobel Powdercoat Black
Dimensions	280mm (Dia) x 170mm (H)
Impact Rating	IK08
Ingress Protection	IP65
Mounting	Stainless Steel eyelet supplied
Weight	4.32kg
Warranty	5 Year Replacement

Electrical Specifications

Power Supply	100W Sosen Series
Dimming	Non-Dimmable
Connection Method	Australian 3-Pin Plug & 2m Lead
Operating Temperature (Ta)	-20°C to +50°C

Optic Specifications

Light Source	180 x Lumileds Luxeon 3030
Delivered Lumens	14,100lm
CRI	Ra 82
Beam Angle	120°
Reported L70 (Hours)	> 60,000 Hrs



VARIATIONS

LC2437	APOLLO 100W Highbay, Black, 120°, Non-Dim, 5700K, 14,100lm
---------------	--