

LAWSON MK-II 150W Canopy Light

Classic Series

Proven. Quality. Customisable

Featuring an upgraded architectural design, the LAWSON MK-II 150W Canopy Light is perfect for commercial and industrial applications such as fuel stations or car parks. Better thermal management, resulting in a longer lifetime. Featuring an IP65 and IK10 rating, they are durable and built to last.

Verified by Techlume Australia on 17/04/2023



SPECIFICATIONS

Material Specifications

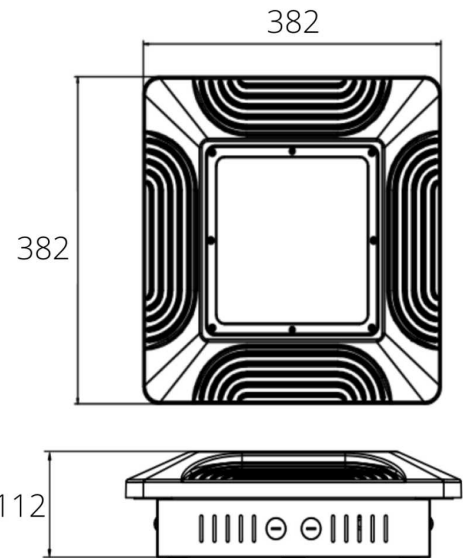
Housing	6063 Die Cast Aluminium
Finish	Anti-Corrosive Powder Coat
Dimensions	382mm x 382mm x 112mm(D)
Mounting	Surface Mount (Recess frame optional)
Impact Rating	IK10
Ingress Protection	IP65
Weight	7.8kg
Warranty	5 Year Replacement

Electrical Specifications

Power Supply	Meanwell Driver, Non-Dim
System Watts	147.7W
Operating Temperature (Ta)	-25°C to + 50°C
Connection Method	Hard wired
Input Voltage	240V

Optic Specifications

Light Source	150W Lumileds LED
Delivered Lumens	23,206lm
Efficacy	157lm/W
CRI	Ra 81
Beam Angle	120°
Reported L70 (Hours)	> 54,000 Hrs



VARIATIONS

LC2855	LAWSON MK-II 150W Canopy Light, White, 120°, Non-Dim, 4000K, 23,206lm
LC2855D	LAWSON MK-II 150W Canopy Light, White, 120°, DALI, 4000K, 23,206lm