

**Classic Series**

Proven. Quality. Customisable

# INVICTUS 250W

## Sports Floodlight

The INVICTUS 250W Floodlight is a striking, low-profile design and advanced in-built thermal management. The latest generation floodlight is a highly reliable fitting that requires very low maintenance. Producing a vivid white light that renders colours as they are meant to be seen, this revolutionary fitting has helped redefine high-output illumination as we know it.

Using a versatile 240V-415V Integrated driver, it has an inbuilt thermostat, which will dim the light to 25% if the lights are overheating. When installed correctly, these lights are guaranteed with a 10-year warranty.



### SPECIFICATIONS

#### Material Specifications

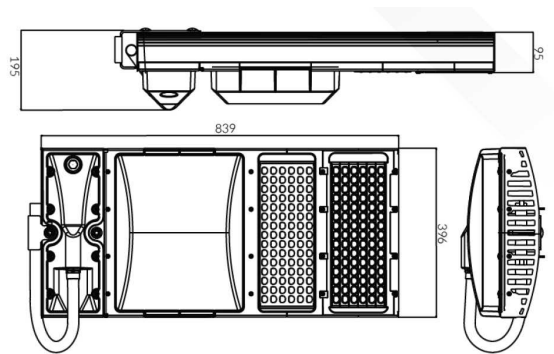
<b>Material</b>	Aluminium Body
<b>Dimensions</b>	396mm (W) x 839mm (H) x 95mm (D)
<b>Ingress Protection</b>	IP66
<b>Impact Rating</b>	IK09
<b>Weight</b>	22kg including driver
<b>Warranty</b>	10 Year Replacement*

#### Electrical Specifications

<b>Power Supply</b>	1 x 250W Driver
<b>Input Voltage</b>	200 - 415VAC, 50/60 Hz
<b>Operating Temperature (Ta)</b>	-40°C - +50°C
<b>Connection Method</b>	Integrated Driver, with Junction Box

#### Optic Specifications

<b>Light Source</b>	Osram 3030 LED
<b>Optics</b>	Medium Flood Asymmetric/ 120° Symmetrical
<b>Efficacy</b>	150lm/W
<b>CRI</b>	70Ra
<b>Calculated L70 (Hours)</b>	> 100,000 Hrs



### VARIATIONS

<b>LC7620</b>	INVICTUS 250W Floodlight, Black, 120° Symmetric, DALI, 5000K, 35,000lm
<b>LC7621</b>	INVICTUS 250W Floodlight, Black, Medium Flood Asymmetric, DALI, 5000K, 35,000lm
<b>LC7621G</b>	INVICTUS 250W Floodlight w. Glare Shield, Black, Medium Flood Asymmetric, DALI, 5000K, 35,000lm