

Classic Series

Proven. Quality. Customisable

KALO 18W

Commercial Downlight 150mm

The KALO 18W Deep Recessed Commercial Downlight is used in commercial applications where style and class are important. At IP54 Rated, it can be used in schools, hospitals, corridors and wet areas. With a matt silver reflector and diffused lens, the KALO series offers excellent optical control along with visual interest.



SPECIFICATIONS

Material Specifications

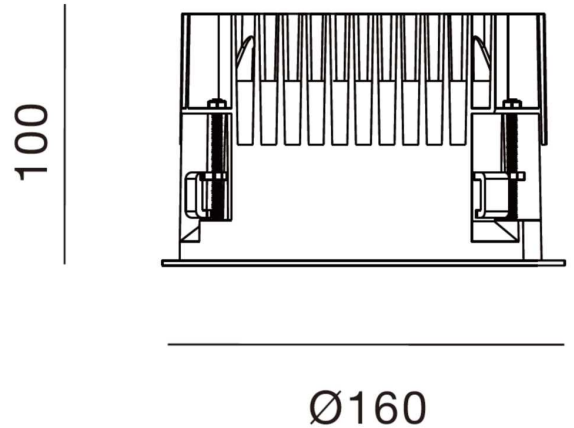
Material	High Grade Aluminium
Finish	Smooth Powder Coat
Dimensions	160mm Dia x 100mm (H)
Cutout	150mm (Dia)
Ingress Protection	IP54
Warranty	5 Year Replacement

Electrical Specifications

Power Supply	ACTEC 21W Phase-Dimmable Driver
Options	DALI Available
Connection Method	Australian 2-Pin Plug and 1.0m Lead
Input Voltage	240V

Optic Specifications

Light Source	Citizen COB LED
Delivered Lumens	2000lm
UGR	<19
CRI	Ra 90
Calculated L90 (Hours)	>52,000 Hrs
Beam Angle	60°
Colour Deviation	SDCM ≤ 3



VARIATIONS

LC5430	KALO 18W Commercial Downlight, White, 60°, Phase Dim, 3000K, 2027lm
LC5430B	KALO 18W Commercial Downlight, Black, 60°, Phase Dim, 3000K, 2027lm
LC5431	KALO 18W Commercial Downlight, White, 60°, Phase Dim, 4000K, 2087lm
LC5431B	KALO 18W Commercial Downlight, Black, 60°, Phase Dim, 4000K, 2087lm