

dynamic series

Efficient. Cutting Edge. Reliable

KARGO 10W

LED Recessed Downlight 90mm

The KARGO 10W downlight is phase dimmable, constructed with a thermal heatsink included to ensure the downlight disperses any heat keeping it cool to touch. Used by builders, developers and a favourite with electricians.

KARGO 10W LED Downlight adopts a high lumen SMD LED, and PMMA diffuser with even light output.

Verified by Techlume Australia on 11/05/2023



IP54



SPECIFICATIONS

Material Specifications

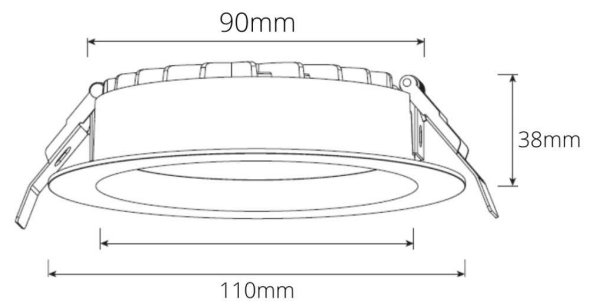
Material	High Grade Aluminium + PC Reflector
Colour	Matt White (RAL9016)
Dimensions	110mm Face Dia x 38mm (H)
Cutout	90mm (Dia)
Ingress Protection	IP54
Impact Rating	IK06
Warranty	5 Year Replacement

Electrical Specifications

Power Supply	Remote Driver 300mA, Phase Dim
Thermal Testing	Compliant with IC-4 Classification
System Watts	9.5W - 9.9W
Operating Temperature (Ta)	-20°C to +45°C
Input Voltage	240V, 50/60Hz
Connection Method	Australian 2-Pin Plug & 0.6m Lead

Optic Specifications

Light Source	10W SMD 2835 LED
Delivered Lumens	877lm (3000K)
CRI	> 82Ra
Beam Angle	100°
Delivered Lumens	1052lm (4000K)
Delivered Lumens	967lm (5500K)
Efficacy	Up to 111.3lm/W
Calculated L70 (Hours)	L70B50 => 60,000 Hrs
Calculated L80 (Hours)	L80B50 => 60,000 Hrs
Calculated L90 (Hours)	L90B50 => 56,000 Hrs



VARIATIONS

LC3611	KARGO 10W Downlight, White, 100°, Phase Dim, Tri-Colour
LC3611B	KARGO 10W Downlight, Black, 100°, Phase Dim, Tri-Colour
LC3611D	KARGO 10W Downlight, White, 100°, DALI, Tri-Colour