

dynamic series

Efficient. Cutting Edge. Reliable

# KARGO 25W

## LED Recessed Downlight 160mm Cutout

The KARGO 25W downlight is phase dimmable, constructed with a thermal heatsink included to ensure the downlight disperses any heat keeping it cool to touch. Used by builders, developers and a favourite with electricians.

KARGO 25W LED Downlight adopts a high lumen SMD LED, and PMMA diffuser with even light output.

Verified by Techlume Australia on 27/07/2023



### SPECIFICATIONS

#### Material Specifications

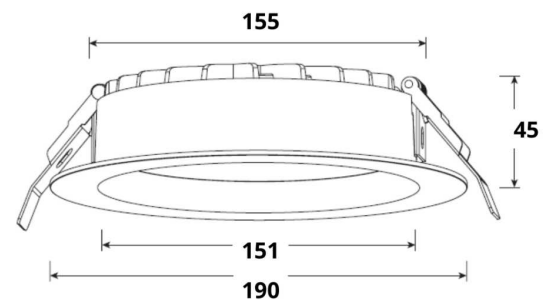
<b>Material</b>	High Grade Aluminium + PC Reflector
<b>Colour</b>	Matt White (RAL9016)
<b>Dimensions</b>	190mm Face Dia x 45mm (H)
<b>Cutout</b>	160mm (Dia)
<b>Ingress Protection</b>	IP54
<b>Impact Rating</b>	IK06
<b>Warranty</b>	5 Year Replacement

#### Electrical Specifications

<b>Power Supply</b>	Remote Driver 300mA, Phase Dim
<b>System Watts</b>	23.1W - 24.4W
<b>Thermal Testing</b>	Compliant with IC-4 Classification
<b>Operating Temperature (Ta)</b>	-20°C to +45°C
<b>Input Voltage</b>	240V, 50/60Hz
<b>Connection Method</b>	Australian 2-Pin Plug & 0.6m Lead

#### Optic Specifications

<b>Light Source</b>	25W SMD 2835 LED
<b>Delivered Lumens</b>	2243lm (3000K)
<b>Delivered Lumens</b>	2533lm (4000K)
<b>Delivered Lumens</b>	2435lm (5500K)
<b>Efficacy</b>	Up to 109.9lm/W
<b>CRI</b>	>82Ra
<b>Beam Angle</b>	100°
<b>Calculated L70 (Hours)</b>	L70B50 => >60,000 Hrs
<b>Calculated L80 (Hours)</b>	L80B50 => > 60,000 Hrs
<b>Calculated L90 (Hours)</b>	L90B50 => > 56,000 Hrs



### VARIATIONS

<b>LC3641</b>	KARGO 25W Downlight, White, 100°, Phase Dim, Tri Colour
<b>LC3641B</b>	KARGO 25W Downlight, Black, 100°, Phase Dim, Tri Colour
<b>LC3641D</b>	KARGO 25W Downlight, White, 100°, DALI, Tri Colour